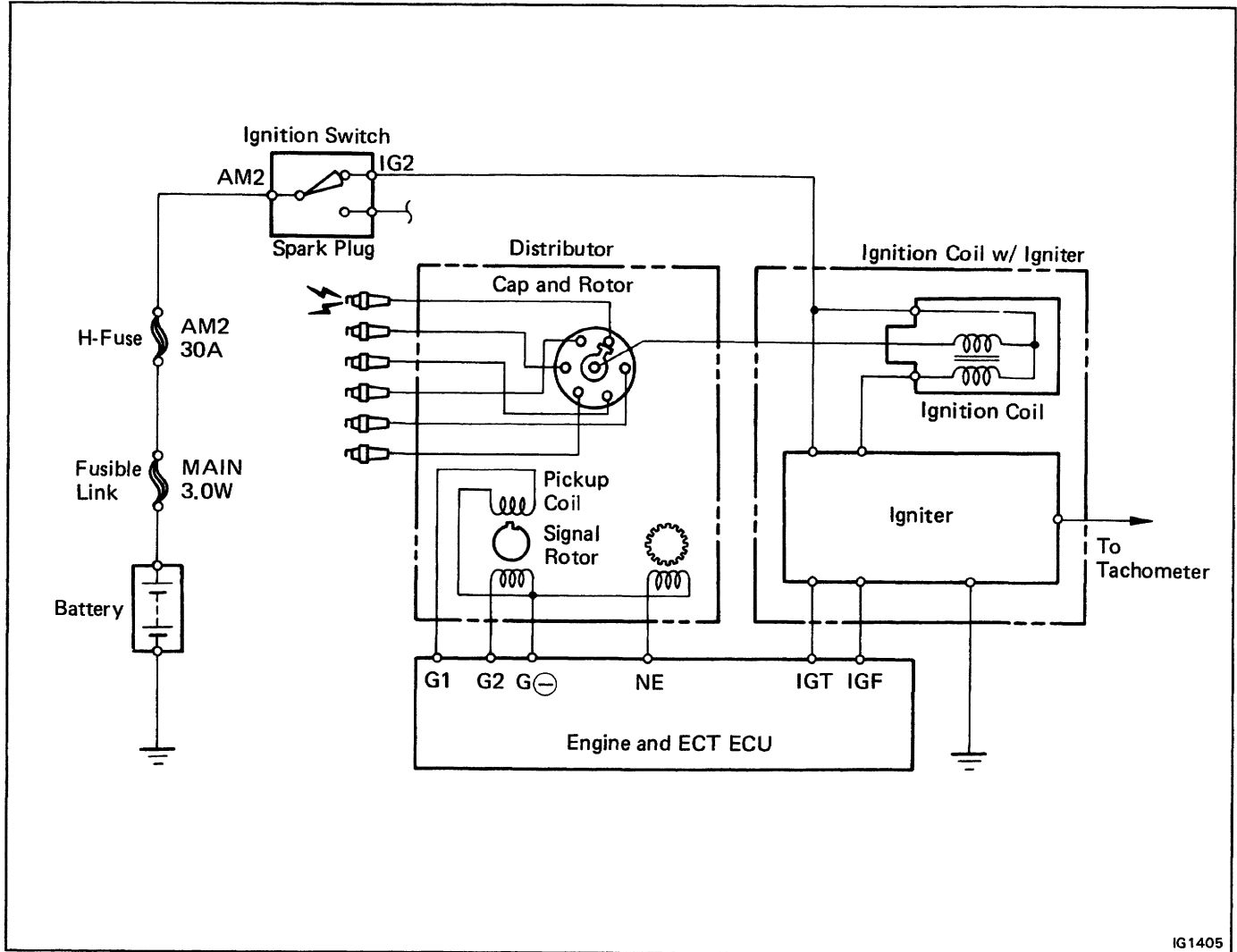


# IGNITION SYSTEM CIRCUIT



IG1405

## ELECTRONIC SPARK ADVANCE (ESA)

The ECU is programmed with data for optimum ignition timing under any and all operating conditions. Using data provided by sensors which monitor various engine functions (rpm, intake air volume, engine temperature, etc.) the microcomputer (ECU) triggers the spark at precisely the right instant.