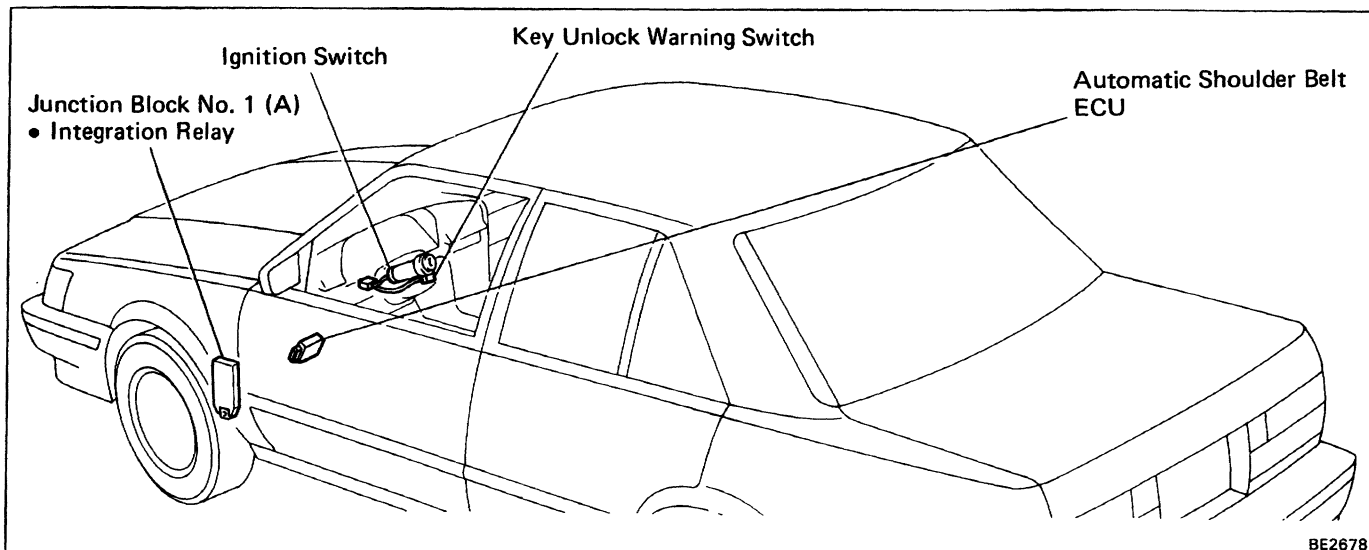


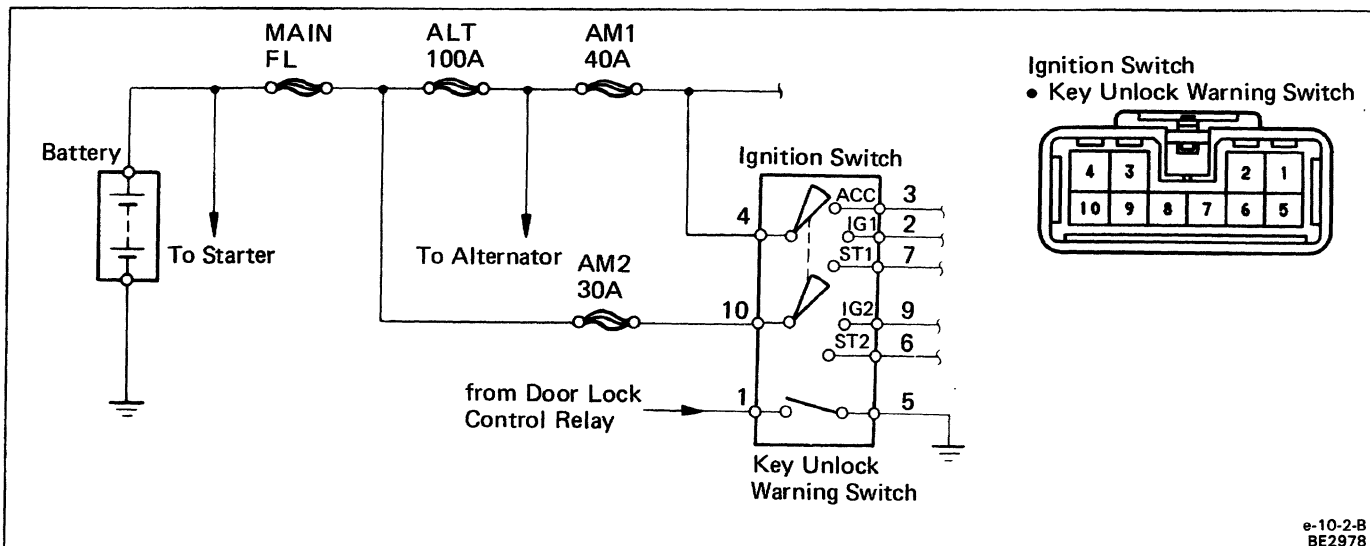
IGNITION SWITCH

Parts Location



BE2678

Wiring and Connector Diagrams



e-10-2-B
BE2978

Parts Inspection

Ignition System

INSPECT SWITCH
(Ignition Switch/ Continuity)

Terminal Switch position	2	3	4	6	7	9	10
LOCK							
ACC		○—○					
ON	○—○	○—○	○—○			○—○	○—○
START	○—○		○—○	○—○	○—○	○—○	○—○

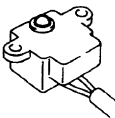
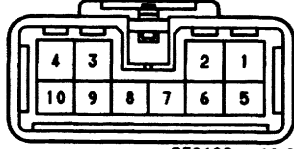
BE0900 e-10-2-B

If continuity is not as specified, replace the switch.

Key Confine Prevention System

1. INSPECT SWITCHES

(Key Unlock Warning Switch/ Continuity)

OFF ↑ ↓ ON		 BE2193 e-10-2-B	Terminal Switch position	1	5
			OFF (Key removed)		
			ON (Key set)	○	○

If continuity is not as specified, replace the switch.

(Door Courtesy Switch! Continuity)

See Step 2 on page [BE-45](#).

If continuity is not as specified, replace the switch.

2. INSPECT RELAY

[USA]

See Automatic Shoulder Belt ECU on page [BE-84](#).

[CANADA]

See Integration Relay on page [BE-44](#).