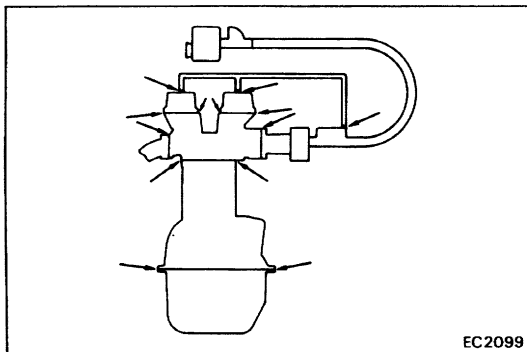
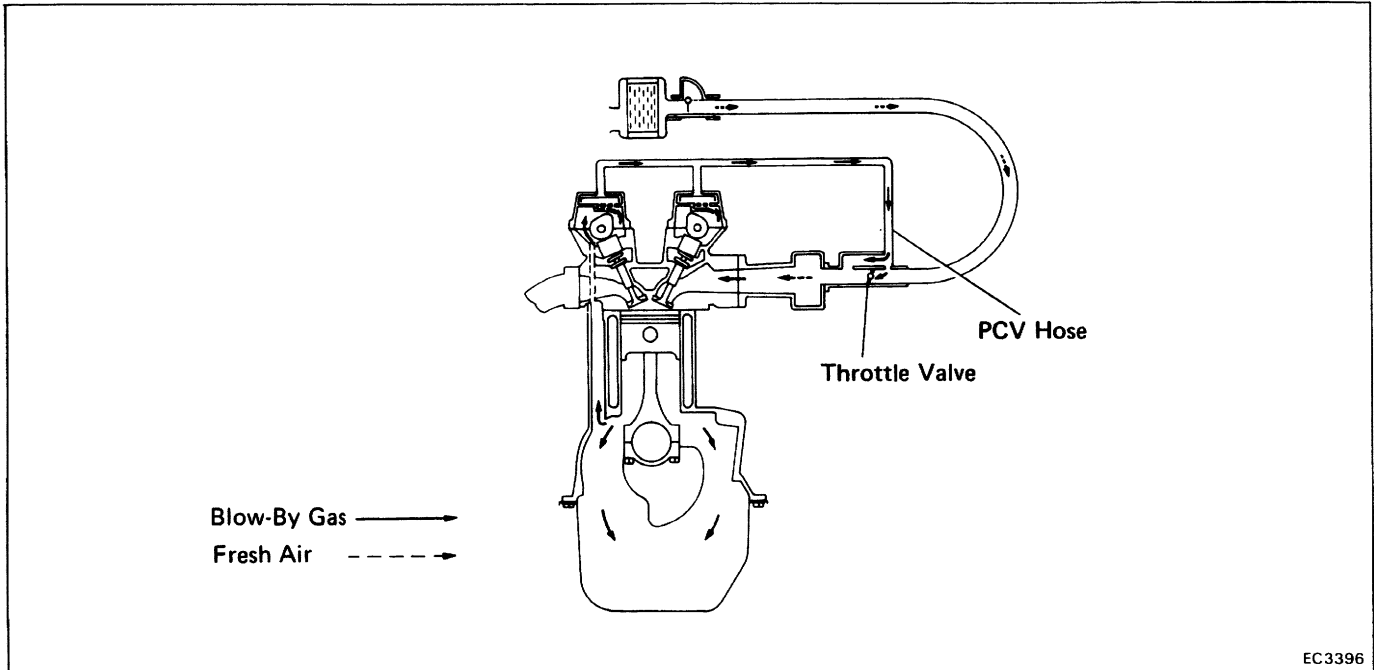


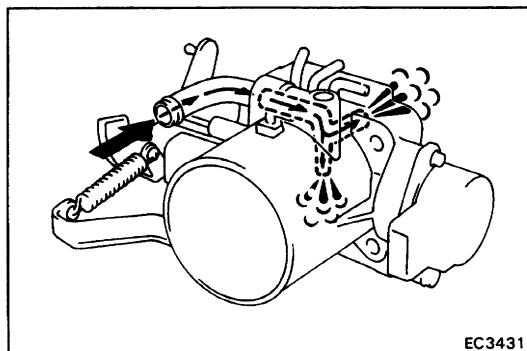
POSITIVE CRANKCASE VENTILATION (PCV) SYSTEM



INSPECTION OF PCV HOSE AND CONNECTIONS

1. VISUALLY INSPECT HOSE AND CONNECTIONS

Check for cracks, leaks or damage.



2. CLEAN TWO ORIFICES

Clean off any gum deposits in the orifices with solvent and blow out with compressed air.