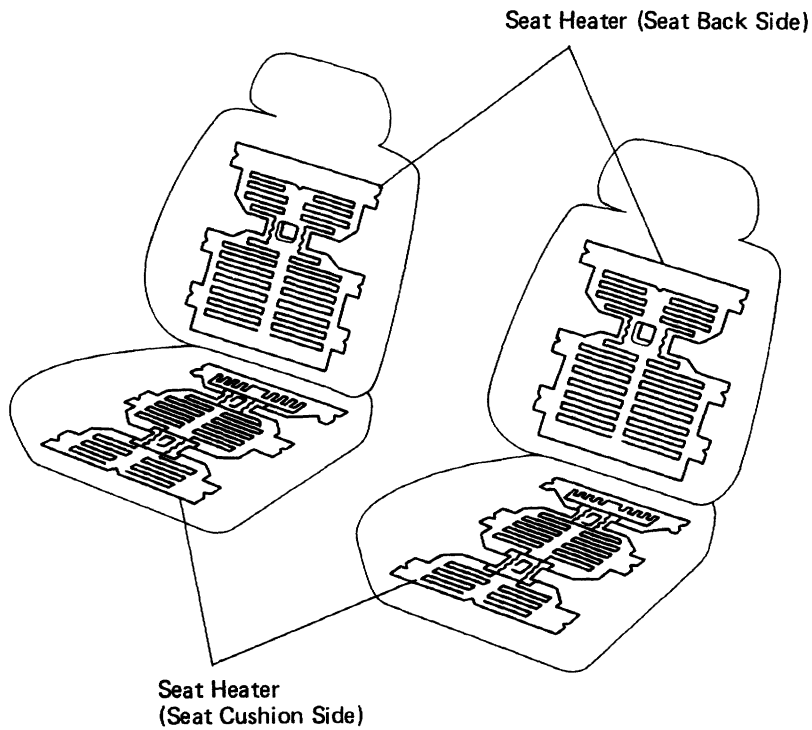
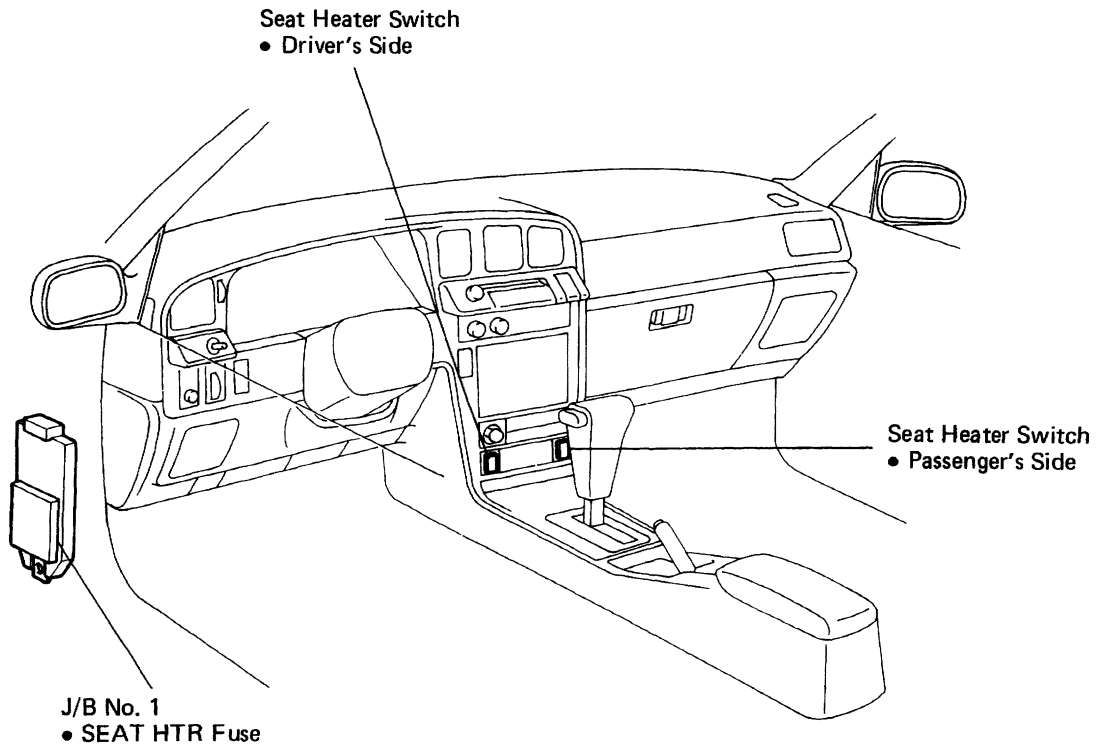
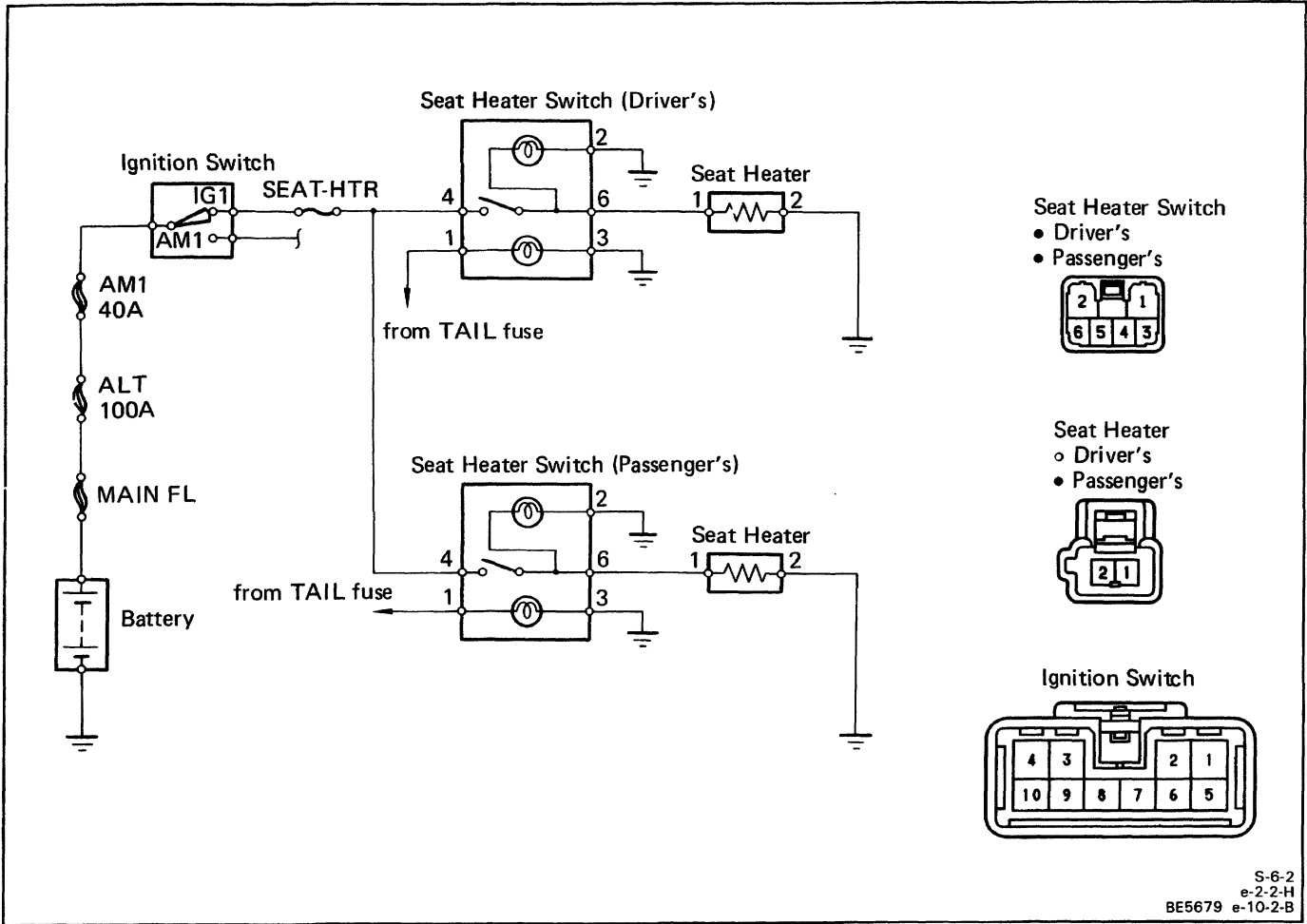


SEAT HEATER SYSTEM

Parts Location



Wiring and Connector Diagrams



Troubleshooting

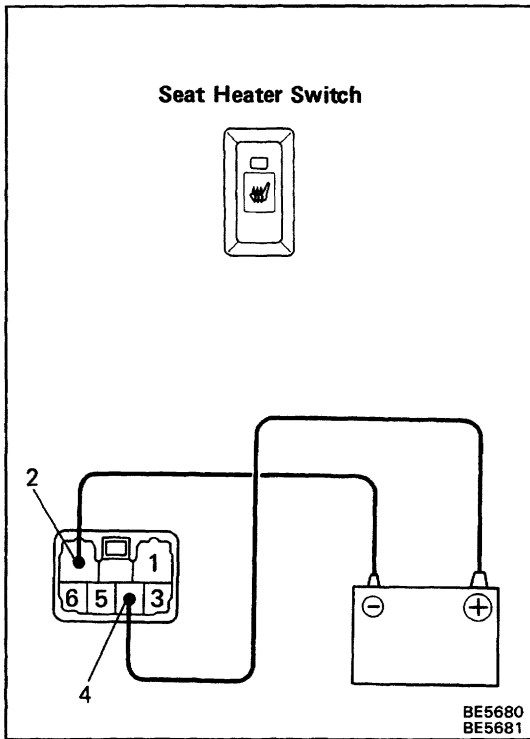
Problem	Possible cause	Remedy	Page
Seat Heater do not operate	SEAT-HTR fuse blown	Replace fuse and check for short	BE-3
	Heat wire faulty	Check heat wire	BE-74
	Seat heater switch faulty	Check switch	BE-73
	Wiring or ground faulty	Repair as necessary	

Parts Inspection

1. INSPECT SEAT HEATER SWITCH (Continuity)

Seat Heater Switch	Terminal Switch position	Terminal			Illumination	
		2	4	6	1	3
<p style="text-align: right; font-size: small;">BE5680 S-6-2</p>	OFF					
	ON	○	○	○	○	○

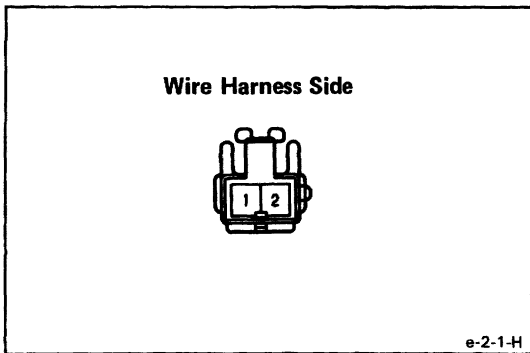
If continuity is not as specified, replace the switch.



(Indicator Light/ Operation)

- (a) Connect the positive (+) lead from the battery to terminal 4 and the negative (-) lead to terminal 2.
- (b) Push the switch to ON, check that the indicator light of the pushed side lights up.

If operation is not as specified, replace the switch.



2. INSPECT SEAT HEATER

(Continuity)

Inspect the seat heater continuity between terminals as shown.

Check for	Tester connection	Condition	Specification value
Continuity	1 - 2	Constant	Continuity

If continuity is not as specified, replace the seat heater.