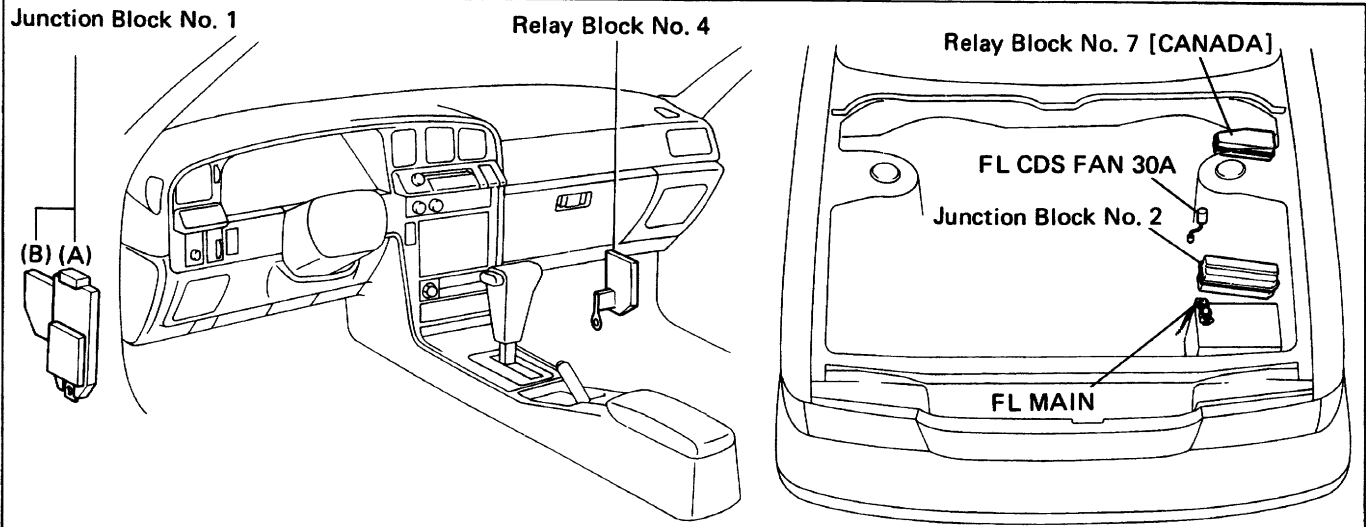


POWER SOURCE

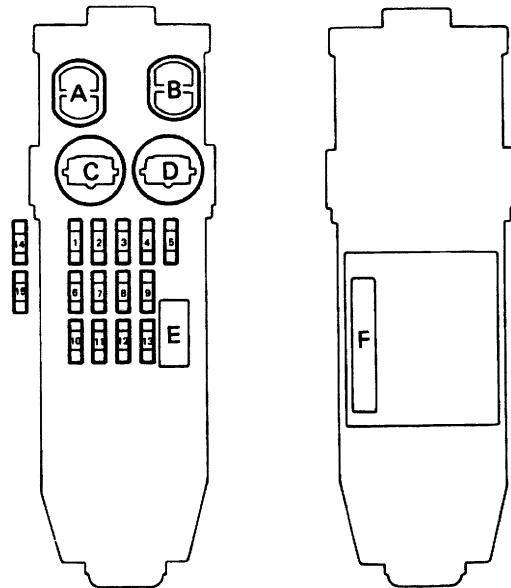
Parts Location



JUNCTION BLOCK No. 1 (A)

Front Side

Back Side



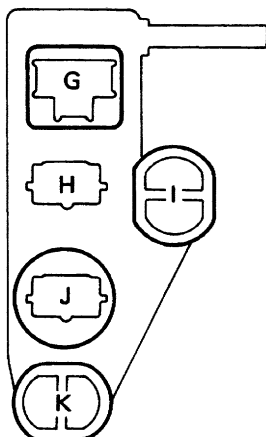
Fuses

- | | |
|--------------|------|
| 1. RAD NO. 2 | 7.5A |
| 2. IGN | 7.5A |
| 3. ECU + B | 15A |
| 4. STOP | 15A |
| 5. TAIL | 15A |
| 6. CIG | 15A |
| 7. ST | 7.5A |
| 8. ECU-IG | 15A |
| 9. SEAT HTR | 15A |
| 10. ENG | 15A |
| 11. WIP | 20A |
| 12. TURN | 10A |
| 13. GAUGE | 7.5A |
| 14. MIR HTR | 10A |
| 15. - | |

Relays and Circuit Brakers

- | |
|----------------------------|
| A. Power (CB) |
| B. Defogger (CB) |
| C. Taillight Control Relay |
| D. Defogger Relay |
| E. Noise Filter |
| F. Integration Relay |

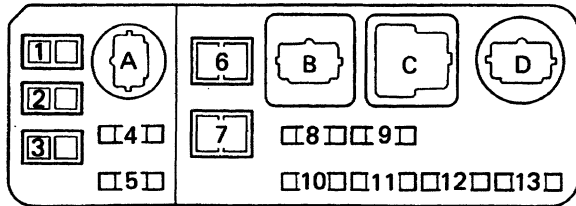
JUNCTION BLOCK No. 1 (B)



Relays and Circuit Brakers

- | |
|---------------------------------|
| G. Turn Signal Flasher Relay |
| H. Starter Relay [USA] |
| I. Automatic Shoulder Belt (CB) |
| J. Power Window Relay |
| K. Door (CB) |

JUNCTION BLOCK No. 2



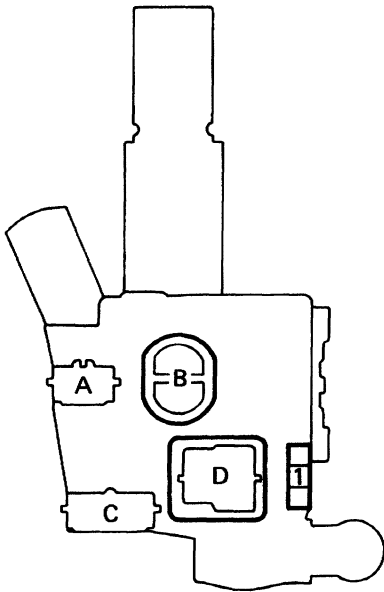
Fuses

- 1. ABS (H-Fuse) 100A
- 2. ALT (H-Fuse) 100A
- 3. -
- 4. -
- 5. -
- 6. AM 1 (H-Fuse) 40A 40A
- 7. AM2 (H-Fuse) 30A 30A
- 8. HEAD (RH) [USA] 15A 15A
- 9. HEAD (LH) [USA] 15A 15A
- 10. HAZ-HORN 15A 15A
- 11. -
- 12. DOME 20A 20A
- 13. E F I 20A 20A

Relays

- A. Magnetic Clutch Relay
- B. Horn Relay
- C. Headlight Control Relay [USA]
- D. EFI Main Relay

RELAY BLOCK No. 4



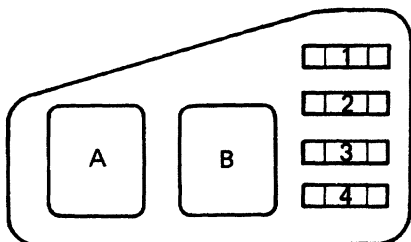
Fuse

- 1. A/C 10A

Relays and Circuit Breaker

- A. Fuel Pump Relay
- B. Heater (CB)
- C. Circuit Opening Relay
- D. Heater Relay

RELAY BLOCK No. 7 [CANADA]



Fuses

- 1. HEAD (LH-LWR) 10A
- 2. HEAD (RH-LWR) 10A
- 3. HEAD (LH-UPR) 10A
- 4. HEAD (RH-UPR) 10A

Relays

- A. Dimmer Relay
- B. Headlight Control Relay

Wiring Diagram

