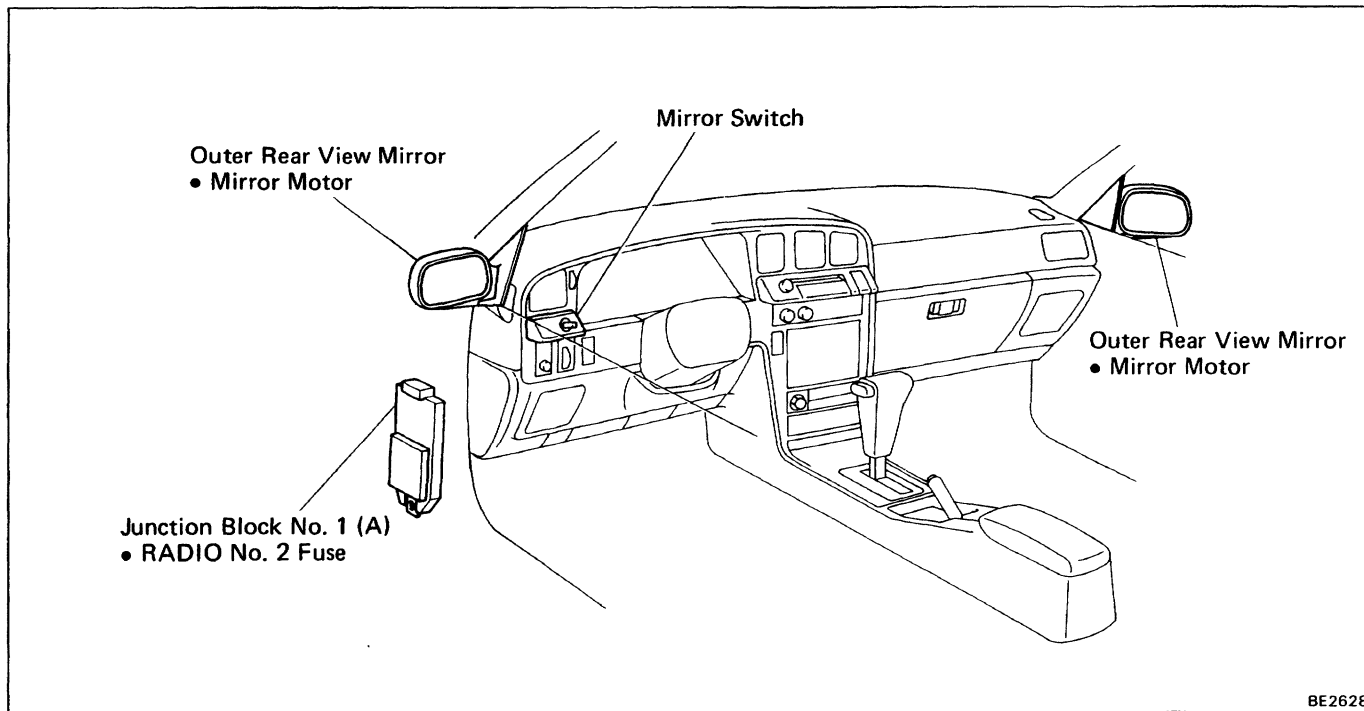
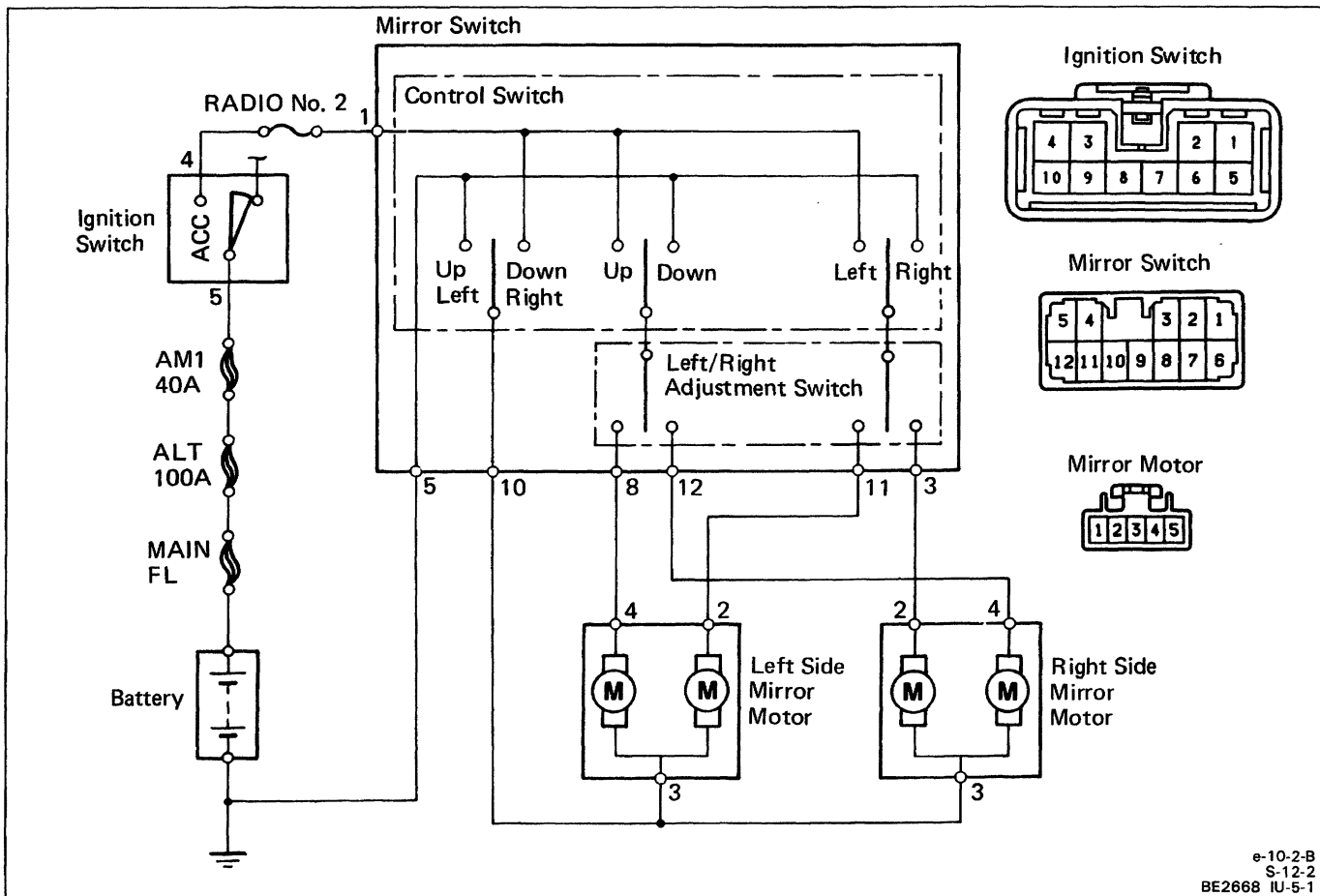


POWER MIRROR CONTROL SYSTEM

Parts Location



Wiring and Connector Diagrams

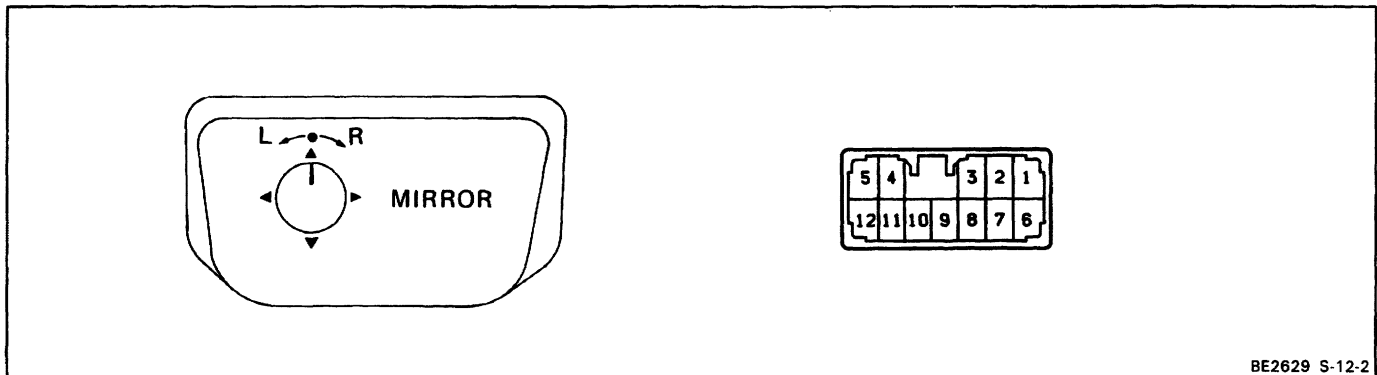


Troubleshooting

Problem	Possible cause	Remedy	Page
Remote control mirror system does not operate	RADIO fuse faulty	Replace fuse and check for short	BE-3
	Mirror switch faulty	Check switch	BE-70
	Mirror motor faulty	Check motor	BE-70
	Wiring or ground faulty	Repair as necessary	

Parts Inspection

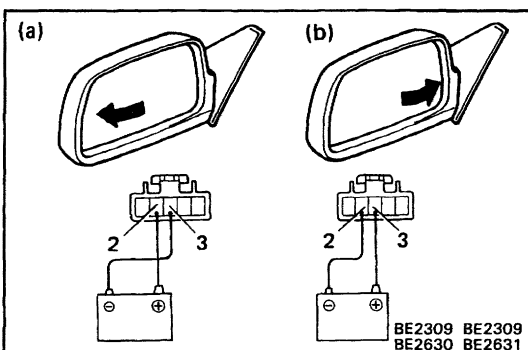
1. INSPECT MIRROR SWITCH (Continuity)



BE2629 S-12-2

Left/Right adjustment switch position	LEFT SIDE					OFF			RIGHT SIDE				
Terminal Control switch position	1	5	8	10	11	1	5	10	1	3	5	10	12
OFF													
UP	○	○	○	○			○	○	○		○	○	○
DOWN	○	○	○	○		○	○	○	○		○	○	○
LEFT	○	○	○	○	○		○	○	○	○	○	○	
RIGHT	○	○	○	○	○	○	○	○	○	○	○	○	

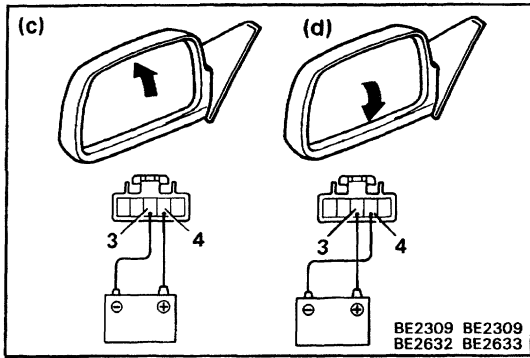
If continuity is not as specified, replace the switch.



2. INSPECT MIRROR MOTOR

- Connect the positive (+) lead from the battery to terminal 2 and the negative (-) lead to terminal 3, check that the mirror turns to left side.
- Reverse the polarity, check that the mirror turns to right side.

BE2309 BE2309
BE2630 BE2631



- (c) Connect the positive (+) lead from the battery to terminal 4 and the negative (-) lead to terminal 3, check that the mirror turns upward.
- (d) Reverse the polarity, check that the mirror turns downward.

If operation is not as specified, replace the mirror assembly.