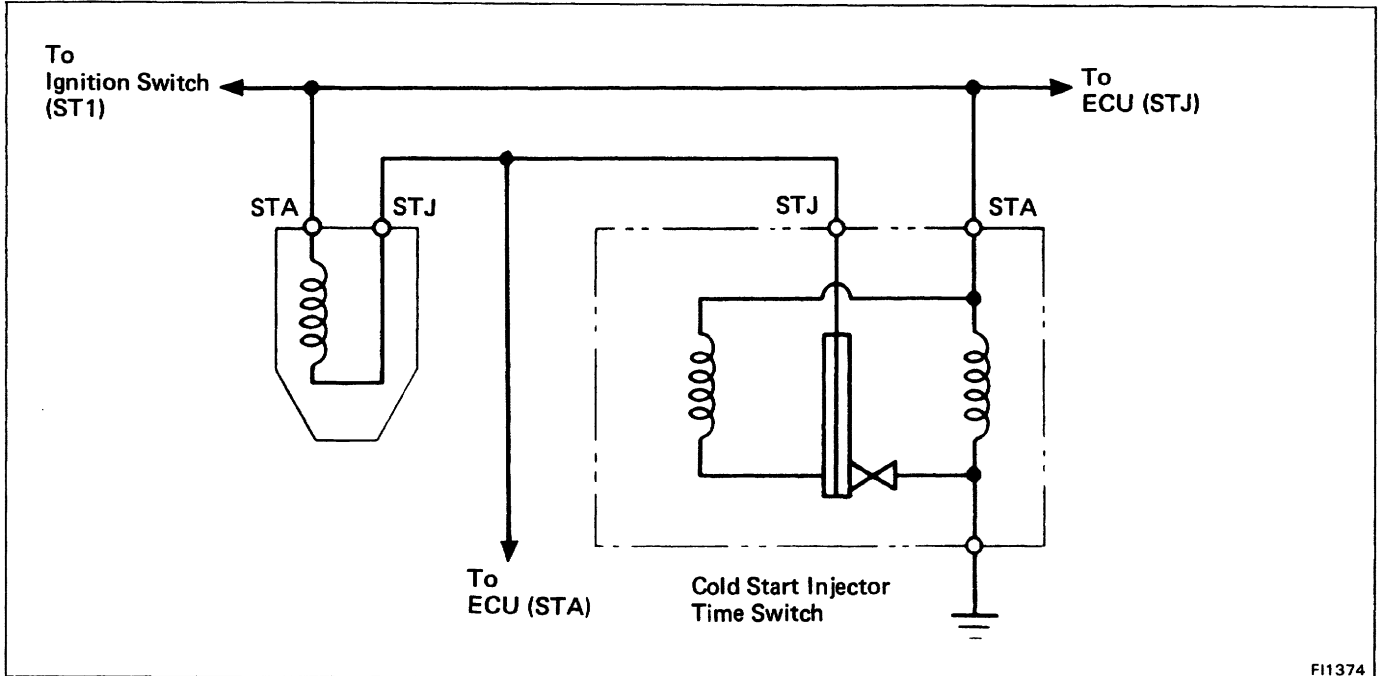
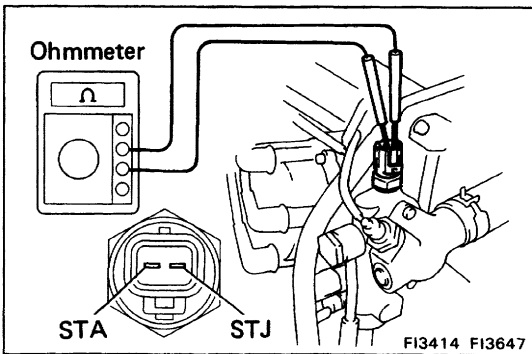


Cold Start Injector Time Switch



FI1374



FI3414 FI3647

INSPECTION OF COLD START INJECTOR TIME SWITCH

INSPECT RESISTANCE OF COLD START INJECTOR TIME SWITCH

Using an ohmmeter, measure the resistance between each terminal.

Resistance:

STA - STJ 25 - 45Ω below 15°C (59°F)
 65 - 85Ω above 30°C (86°F)

STA - Ground 25-850

If the resistance is not as specified, replace the switch.