

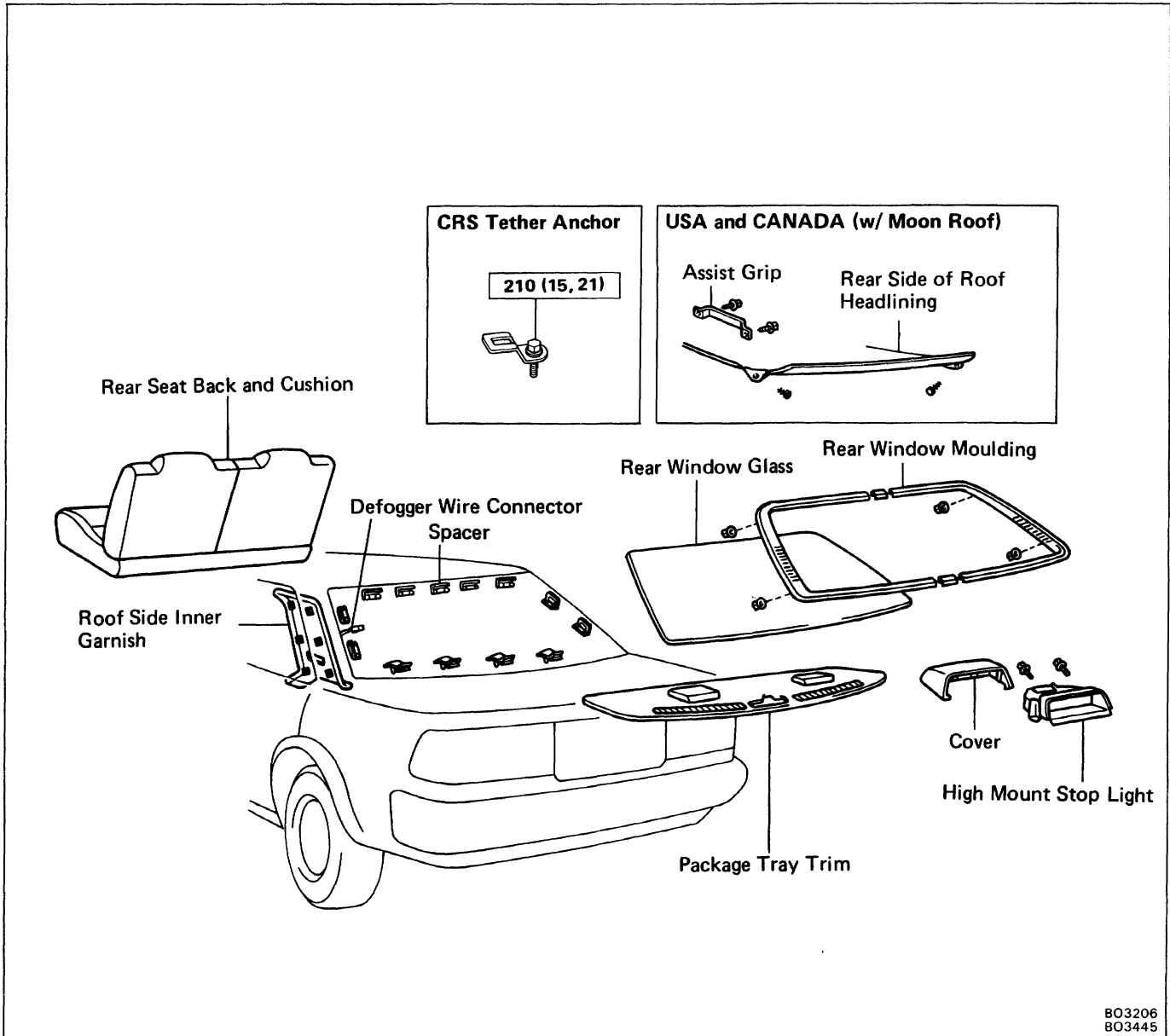
# REAR WINDOW GLASS

## PREPARE ITEMS LISTED

(See page [BO-29](#))

HINT: See any items without Dam Kit.

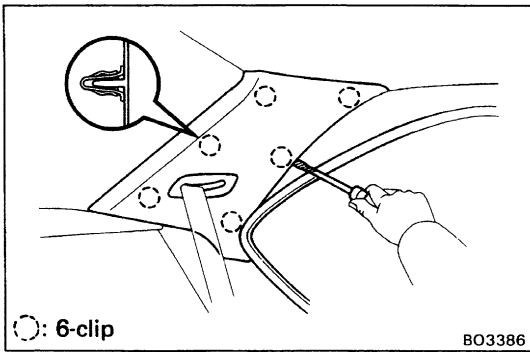
### COMPONENTS



## REMOVAL OF REAR WINDOW GLASS

1. DISCONNECT DEFOGGER WIRE CONNECTORS
2. REMOVE REAR SEAT BACK AND CUSHION

(See page [BO-57](#))

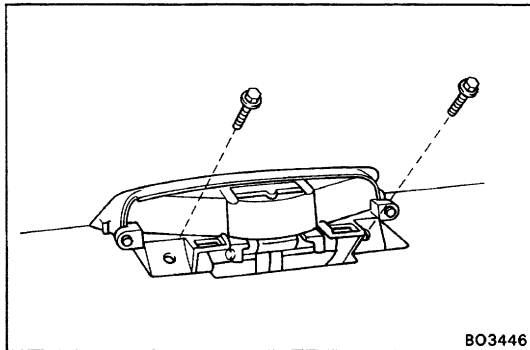
**3. REMOVE ROOF SIDE INNER GARNISH**

- (a) Peel the rear door opening trim.
- (b) Using a screwdriver, pry loose six clips and remove the roof side inner garnish.

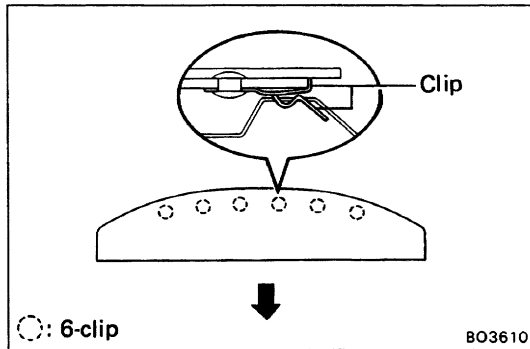
HINT: Tape the screwdriver tip before use.

**4. REMOVE CRS TETHER ANCHOR**

Remove the bolt with CRS tether anchor.

**5. REMOVE HIGH MOUNT STOP LIGHT**

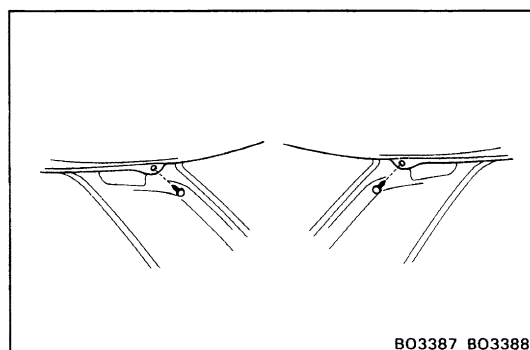
- (a) Slide the cover rearward, lift the cover and remove the claws of cover.
- (b) Remove two bolts and the high mount stop light.
- (e) Disconnect the connector.

**6. REMOVE PACKAGE TRAY TRIM**

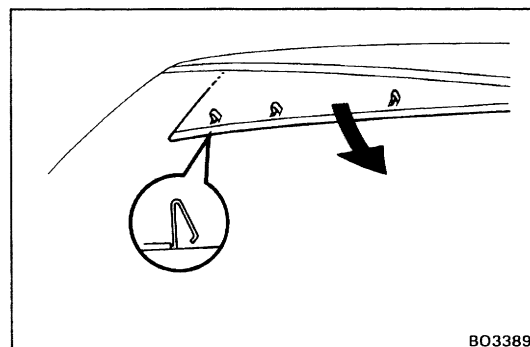
Pull the trim forward to remove it.

**7. REMOVE REAR WINDOW MOULDING**

(See pages [BO-27](#) and [28](#))

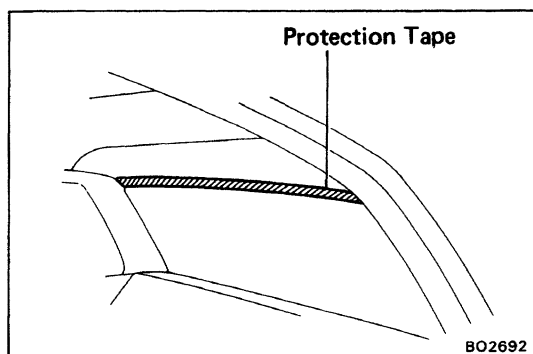
**8. [USA AND CANADA (w/ MOON ROOF)  
REMOVE REAR SIDE OF ROOF HEADLINING**

- (a) Remove two screws and the assist grip.
- (b) Remove two clips.



- (c) Remove three clips by hand and pull down the headlining.

HINT: Do not overpull down the headlining.



### 9. [CANADA (w/o MOON ROOF) APPLY PROTECTION TAPE

When separating the glass from the body, apply protection tape or plastic sheet between the piano wire and the roof headlining.

### 10. REMOVE REAR WINDOW GLASS

HINT: Remove the rear window glass in the same manner as the windshield glass.

(See pages BO-30 and 31)

## PREPARATION FOR INSTALLATION

### 1. CLEAN AND SHAPE CONTACT SURFACE OF BODY

(See step 1 on page BO-31)

### 2. IF NECESSARY, REPLACE SPACERS

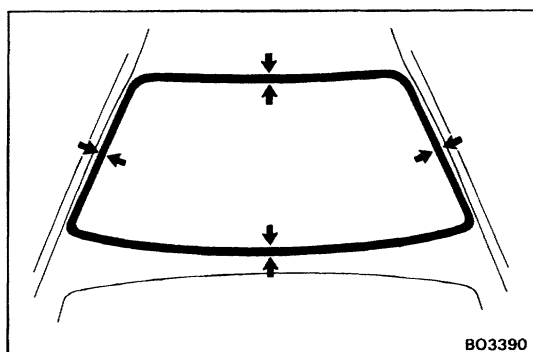
- Remove the damaged spacer.
- Install new spacer to the body hole.

### 3. CLEAN REMOVED GLASS BEFORE INSTALLATION

(See step 3 on page BO-32)

### 4. POSITION GLASS

- Place glass in correct position onto the spacers.
- Mark reference marks between the glass and body.
- Remove the glass.



## INSTALLATION OF REAR WINDOW GLASS

### 1. CLEAN CONTACT SURFACE OF GLASS

(See step 1 on page BO-33)

### 2. COAT CONTACT SURFACE OF BODY WITH PRIMER "M"

"M"

(See step 3 on page BO-33)

### 3. COAT CONTACT SURFACE OF GLASS WITH PRIMER "G"

"G"

(See step 4 on page BO-33)

### 4. MIX ADHESIVE COATING

(See step 5 on page BO-33)

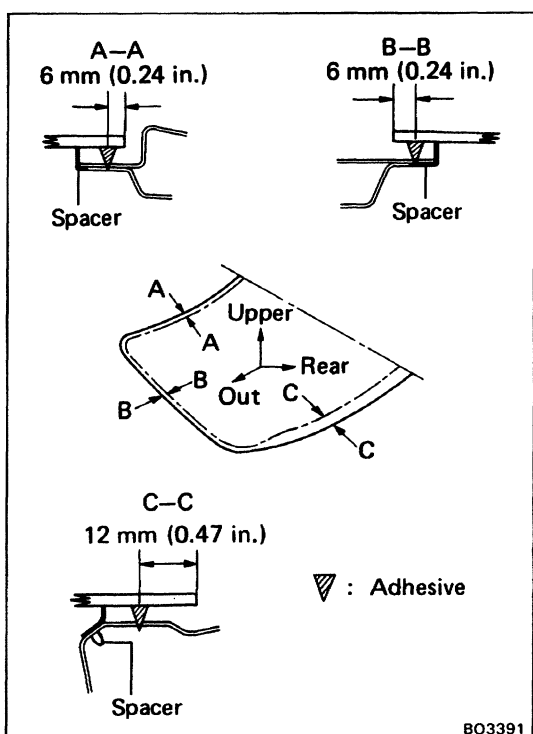
### 5. APPLY ADHESIVE

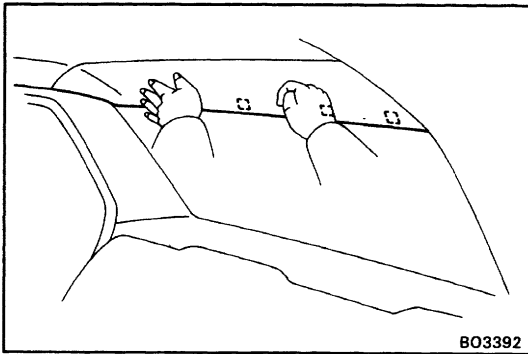
(See step 6 on page BO-34)

Apply adhesive on the location as shown.

### 6. INSTALL REAR WINDOW GLASS

(See steps 7 to 8 on page BO-34)





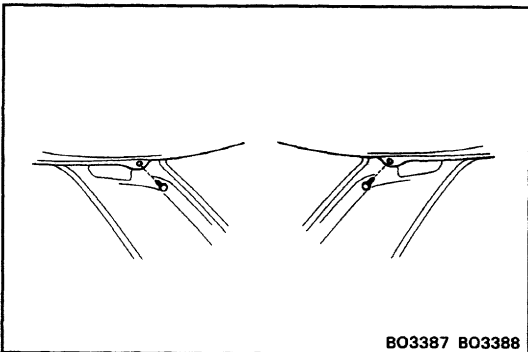
## 7. [USA, CANADA (w/ MOON ROOF)]

### INSTALL REAR SIDE OF ROOF HEADLINING

(a) Tap the headlining by hand to fasten three clips.

(b) Install two clips.

(c) Install the assist grip with two screws.



## 8. INSTALL REAR WINDOW MOULDING

(See page [BO-28](#))

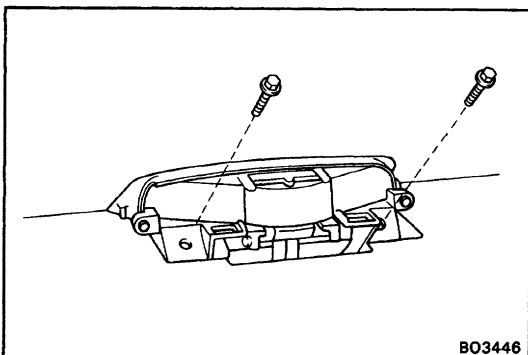
## 9. INSTALL PACKAGE TRAY TRIM

Align six retainers with the hole of panel, then push the panel rearward.

## 10. INSTALL CRS TETHER ANCHOR

Install the CRS tether anchor with the bolt.

Torque: 210 kg-cm (15 ft-lb, 21 N-m)

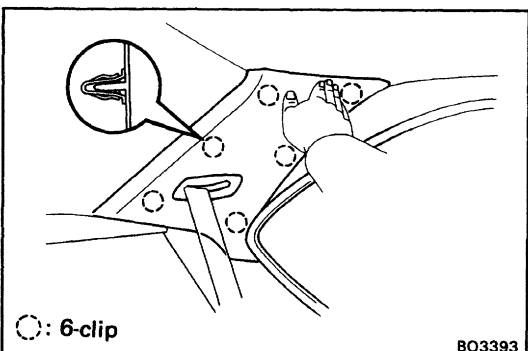


## 11. INSTALL HIGH MOUNT STOP LIGHT

(a) Connect the connector.

(b) Install the high mount stop light with two bolts.

(c) Install the cover.



## 12. INSTALL ROOF SIDE INNER GARNISH

(a) Install the garnish by tapping.

(b) Install the rear door opening trim.

## 13. INSTALL REAR SEAT BACK AND CUSHION

## 14. CONNECT DEFOGGER WIRE CONNECTORS

## 15. CHECK FOR LEAKS

○: 6-clip

B03393