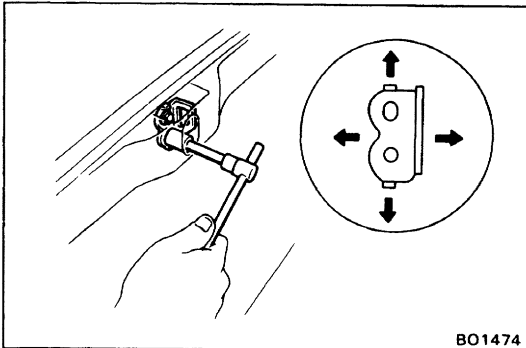


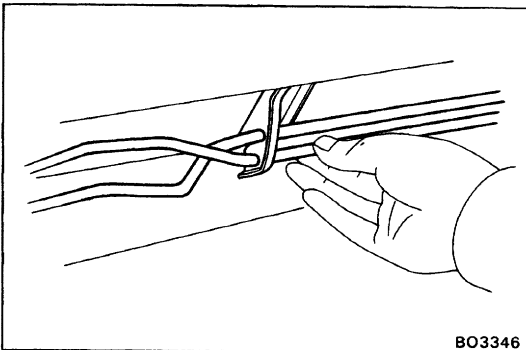
LUGGAGE COMPARTMENT LID ADJUSTMENT OF LUGGAGE COMPARTMENT LID

- (a) Forward/rearward and left/right adjustments loosen the bolts.
- (b) For vertical adjustment of front end of lid, increase or decrease the number of washers between the hinge and door.



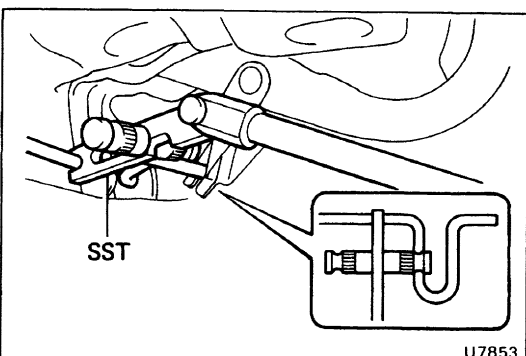
ADJUSTMENT OF LOCK STRIKER

Loosen the mounting bolts to adjust the lock striker.



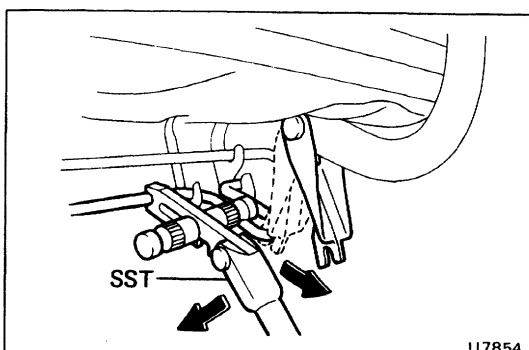
REMOVAL OF TORSION BAR

1. REMOVE TORSION BAR FROM CENTER BRACKET

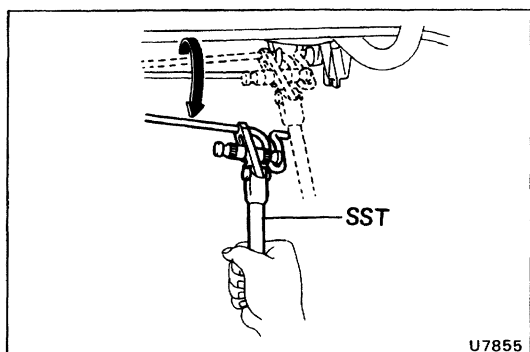


2. REMOVE TORSION BAR FROM LUGGAGE COMPARTMENT LID HINGE

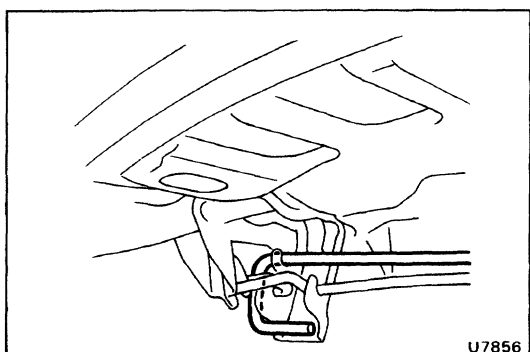
- (a) Install SST to the torsion bar on the hinge side.
SST 09804-24010



- (b) Push down on SST, and pull the luggage compartment lid hinge from the torsion bar.



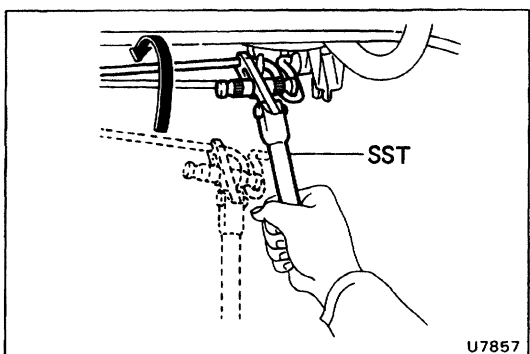
- (c) Slowly lift SST, and remove the torsion bar from the torsion bar bracket with SST.
- (d) Do the same for the other side.



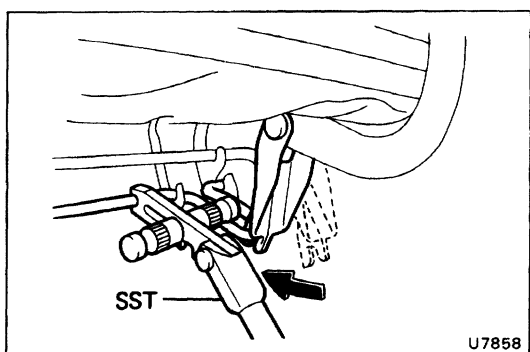
INSTALLATION OF TORSION BAR

1. INSTALL TORSION BAR TO LUGGAGE COMPARTMENT LID HINGE

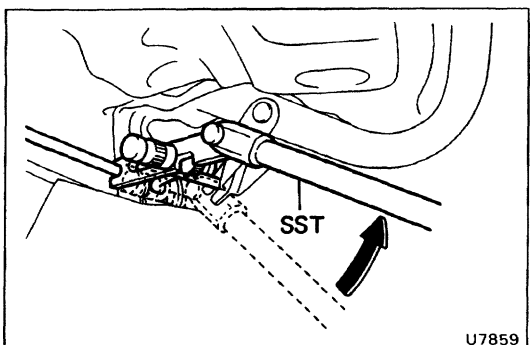
- (a) Install the torsion bar into the bracket as shown.



- (b) Install SST to the torsion bar of the hinge side.
SST 09804-24010
- (c) Slowly lift the torsion bar with SST and place on the torsion bar bracket.



- (d) Slowly push down SST, and install the torsion bar to the luggage compartment lid hinge.



- (e) Slowly lift SST, and install the torsion bar.
- (f) Do the same for the other side.

2. INSTALL TORSION BAR TO CENTER BRACKET