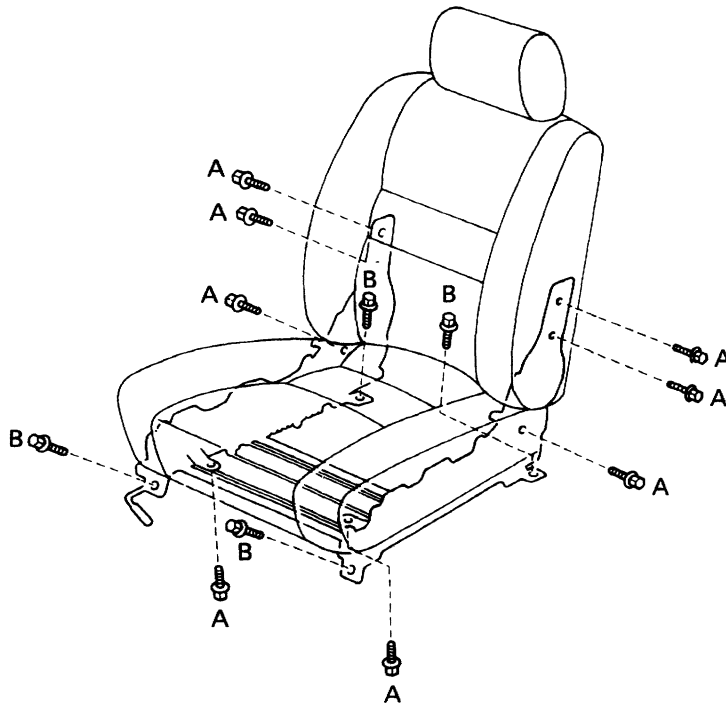


# SEAT

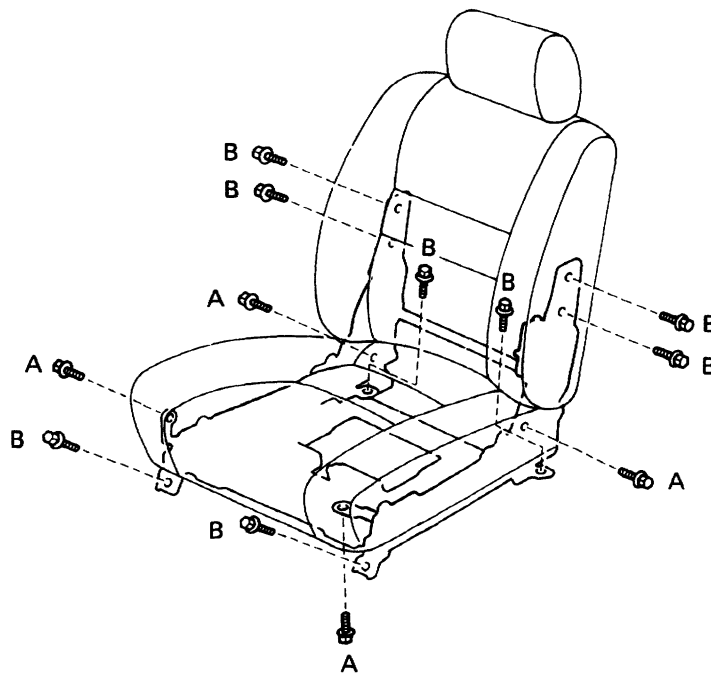
## Front Seat

### COMPONENTS

#### Four-way Vertical Seat



#### Power Seat



A : 185 (13, 18)

B : 375 (27, 37)

kg-cm (ft-lb, N·m) : Specified torque