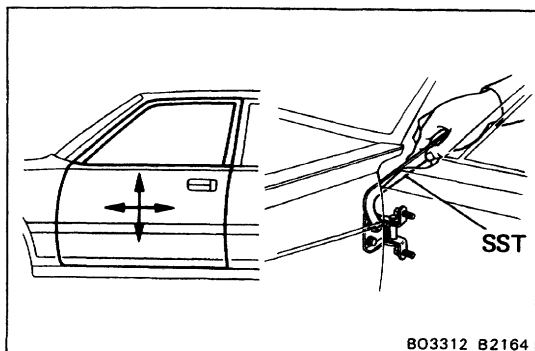


FRONT DOOR COMPONENTS



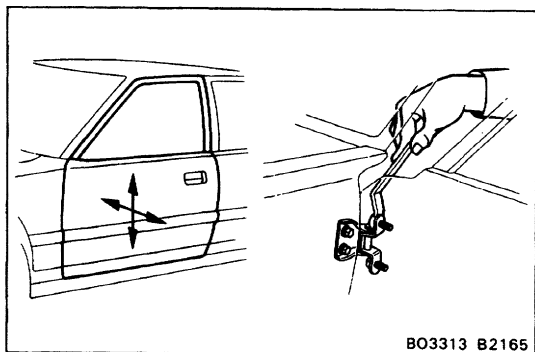


ADJUSTMENT OF FRONT DOOR

1. ADJUST DOOR IN FORWARD/REARWARD AND VERTICAL DIRECTIONS

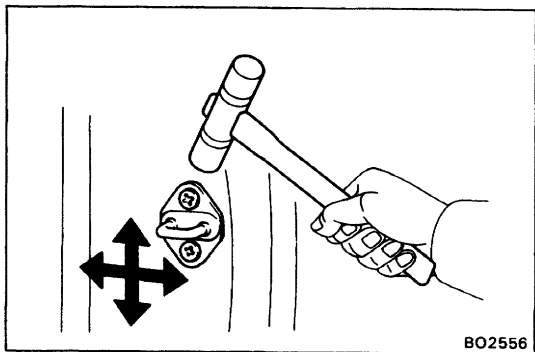
Using SST, adjust the door by loosening the body side hinge bolts.

SST 09812-00010



2. ADJUST DOOR IN LEFT/RIGHT AND VERTICAL DIRECTIONS

Loosen the door side hinge bolts to adjust.

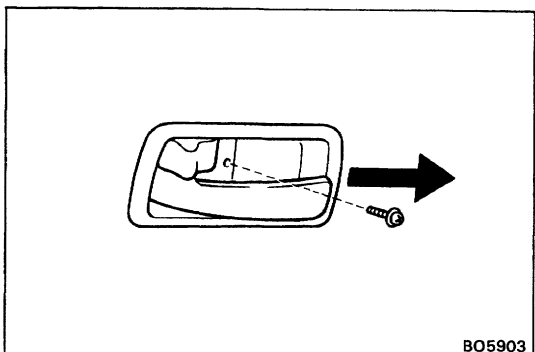


3. ADJUST DOOR LOCK STRIKER

(a) Check that the door fit and door lock linkages are adjusted correctly.

(b) Adjust the striker position by slightly loosening the striker mounting screws, and hitting the striker with a hammer.

Tighten the striker mounting screws again.

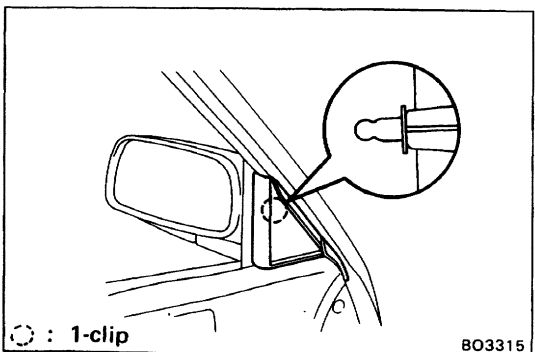


DISASSEMBLY OF FRONT DOOR

(See page [BO-5](#))

1. REMOVE DOOR INSIDE HANDLE BEZEL

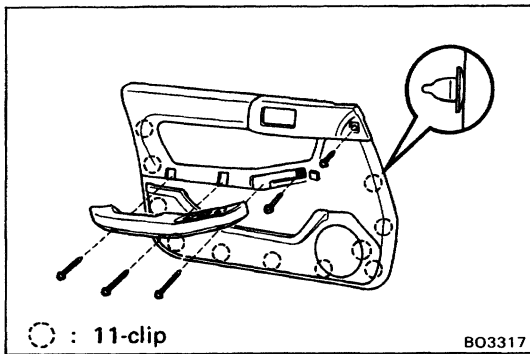
Remove the screw, and slide the door inside handle bezel forward.



2. REMOVE REAR VIEW MIRROR COVER

Using a screwdriver, pry loose the clip and remove the cover.

HINT: Tape the screwdriver tip before use.



3. REMOVE DOOR TRIM

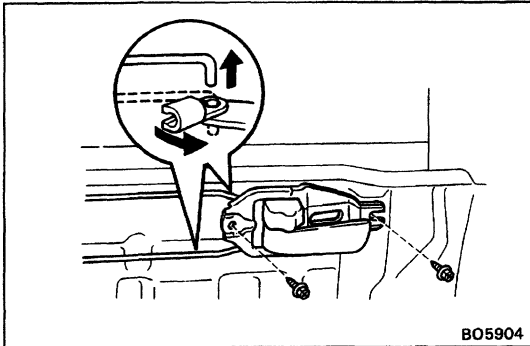
- (a) Remove three screws and the armrest.
- (b) Disconnect the connector.
- (c) Remove the hole cover and two screws.
- (d) Install a screwdriver between the retainers and door trim to pry it loose.

HINT: Tape the screwdriver tip before use.

- (e) Disconnect the connector.
- (f) Remove the door trim.

4. REMOVE DOOR INSIDE HANDLE

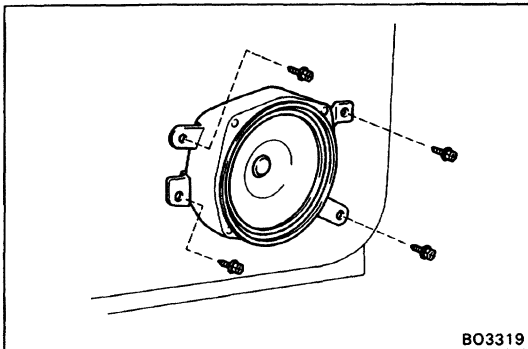
- (a) Remove two screws.
- (b) Disconnect the handle from two links and remove the handle.



5. REMOVE SPEAKER

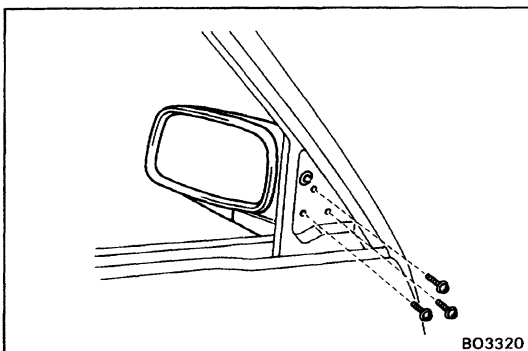
- (a) Remove four screws.
- (b) Disconnect the connector and remove the speaker.

6. REMOVE SERVICE HOLE COVER



7. REMOVE REAR VIEW MIRROR

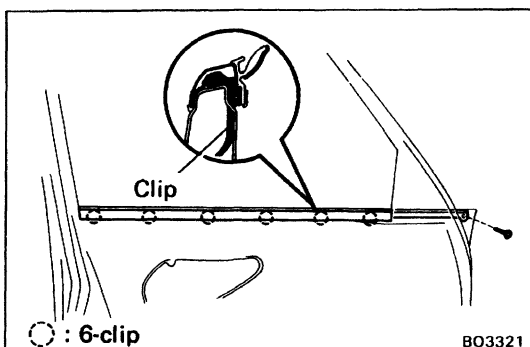
- (a) Disconnect the connector.
- (b) Remove three screws and the mirror.

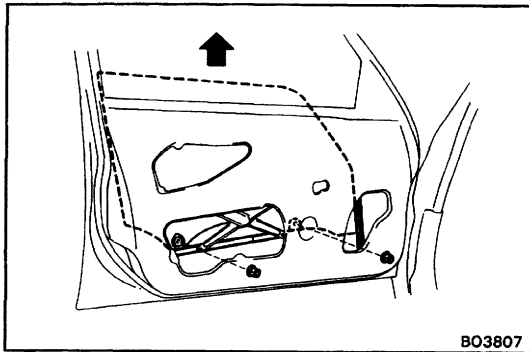


8. REMOVE FRONT DOOR BELT MOULDING

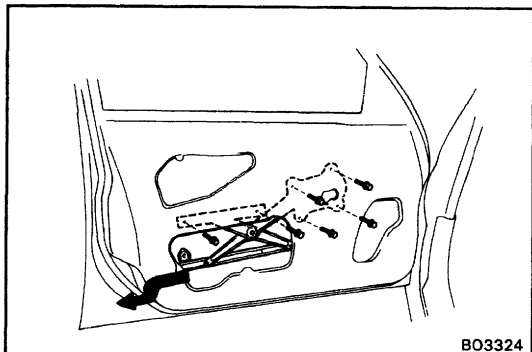
- (a) Remove the screw from the front edge of the moulding.
- (b) Pry loose the clips from the edge of the panel and remove the front door belt moulding.

9. REMOVE DOOR GLASS RUN



**10. REMOVE DOOR GLASS**

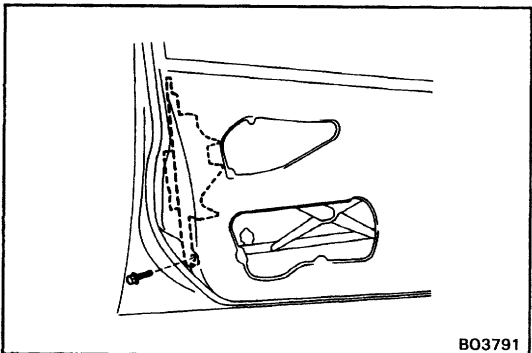
- (a) Wind the glass down into the door cavity.
- (b) Remove two glass mounting nuts and pull it upward.

**11. REMOVE WINDOW REGULATOR**

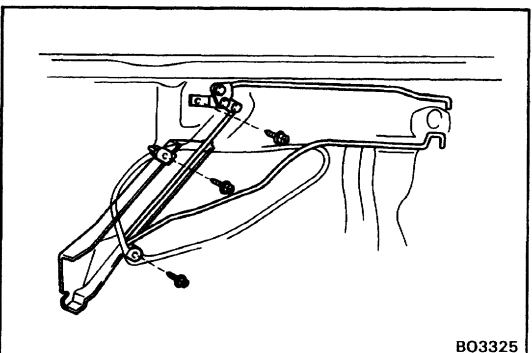
- (a) Disconnect the connector.
- (b) Remove four regulator mounting bolts.
- (c) Remove two equalizer arm bracket mounting bolts.
- (d) Remove the regulator through the service hole.

12. REMOVE PROTECTOR

Remove two screws and the protector.

**13. REMOVE REAR LOWER FRAME**

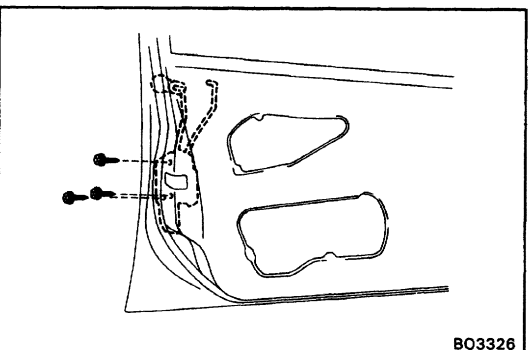
Remove the bolt and the rear lower frame.

**14. REMOVE INSIDE LOCKING LINK**

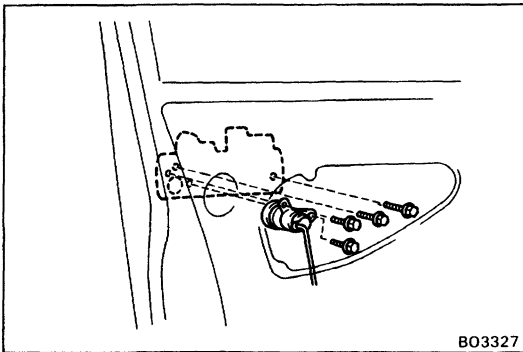
- (a) Remove the screw.
- (b) Disconnect the link from the door lock.

15. REMOVE OPENING CONTROL LINK

Disconnect the link from the door lock.

**16. REMOVE DOOR LOCK**

- (a) Disconnect two links from the door outside handle and door lock.
- (b) Disconnect the connector.
- (c) Remove three screws and the door lock.



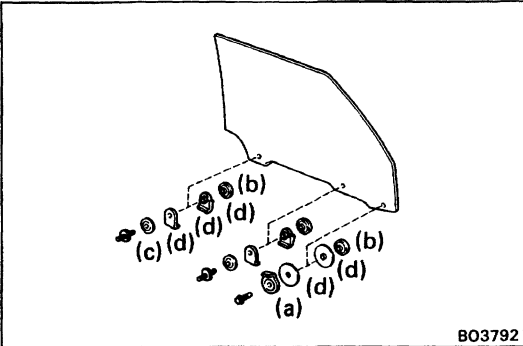
BO3327

17. REMOVE DOOR LOCK CYLINDER

- (a) Remove two bolts and the cylinder with the link.
- (b) Disconnect the connector.

18. REMOVE DOOR OUTSIDE HANDLE

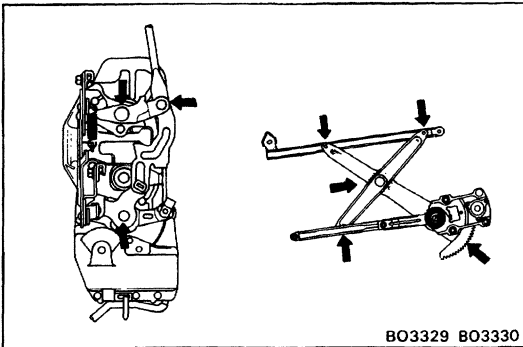
- (a) Disconnect the connector.
- (b) Remove two bolts and the door outside handle.



BO3792

REPLACEMENT OF GLASS**1. REMOVE FOLLOWING PARTS:**

- (a) Stopper
- (b) Nut
- (c) Stud bolt
- (d) Washer

2. INSTALL EACH PART TO GLASS

BO3329 BO3330

ASSEMBLY OF FRONT DOOR(See page [BO-5](#))**1. BEFORE INSTALLING PARTS, COAT THEM WITH MP GREASE**

- (a) Apply MP grease to the sliding surface and gears of the window regulator.

NOTICE: Do not apply MP grease to the spring of the window regulator.

- (b) Apply MP grease to the sliding surface of the door lock.

2. INSTALL DOOR OUTSIDE HANDLE

- (a) Install the door outside handle with two bolts.
- (b) Connect the connector.

3. INSTALL DOOR LOCK CYLINDER

- (a) Connect the connector.
- (b) Install the cylinder with two bolts.

4. INSTALL DOOR LOCK

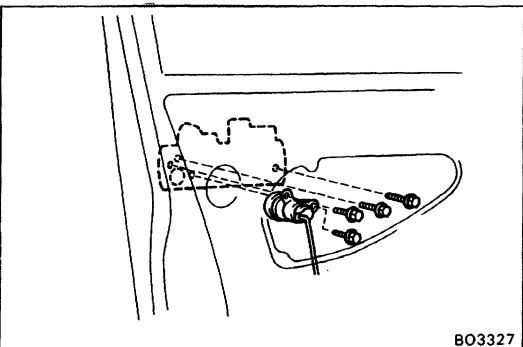
- (a) Install the door lock with three screws.
- (b) Connect the connector.
- (c) Connect two links to the door outside handle and door lock.

5. INSTALL OPENING CONTROL LINK

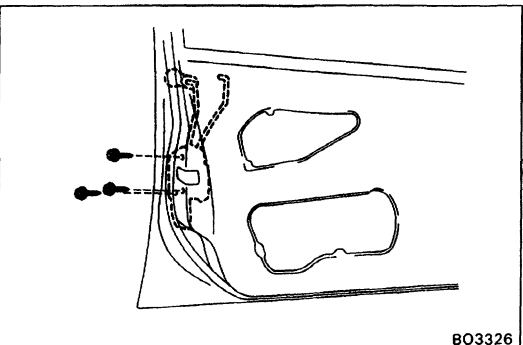
Connect the link to the door lock.

6. INSTALL INSIDE LOCKING LINK

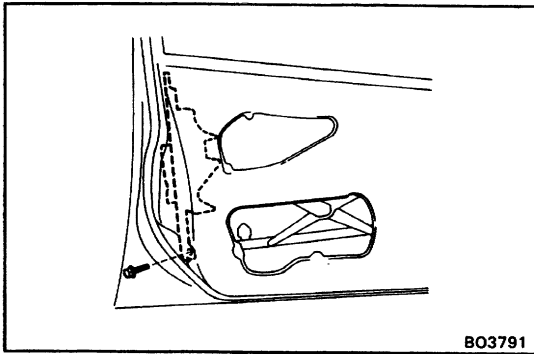
- (a) Connect the link to the door lock.
- (b) Install the screw.



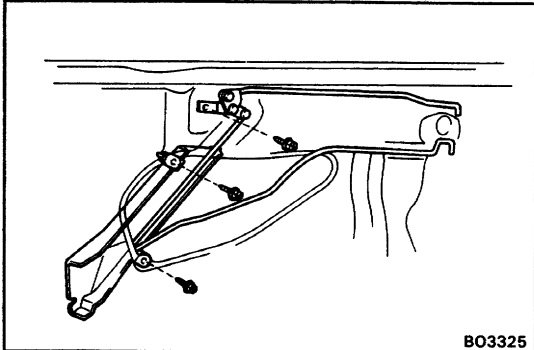
BO3327



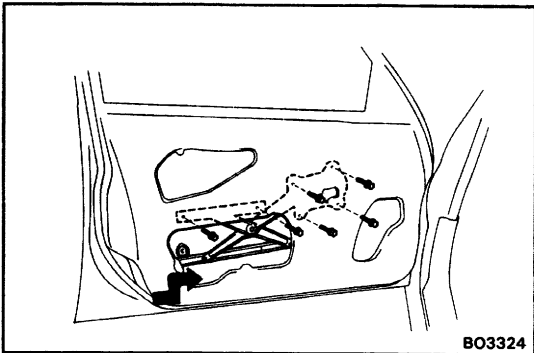
BO3326

**7. INSTALL REAR LOWER FRAME**

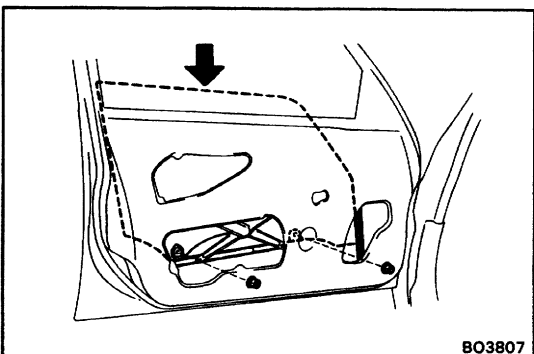
Install the rear lower frame with the bolt.

**8. INSTALL PROTECTOR**

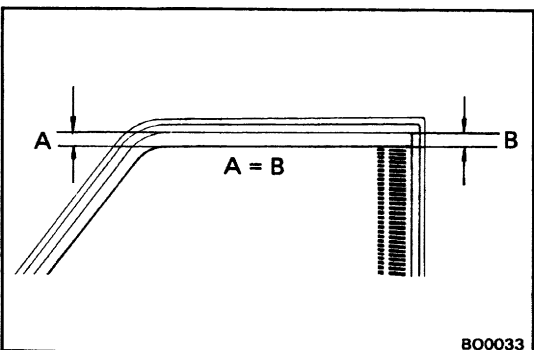
Install the protector with two screws.

**9. INSTALL WINDOW REGULATOR**

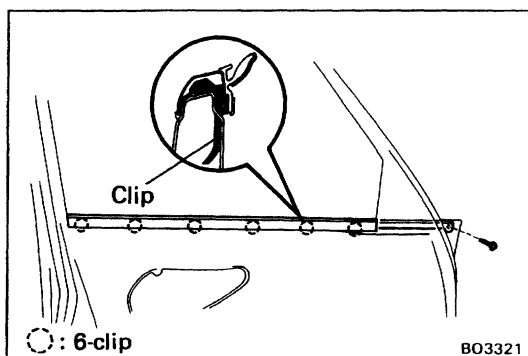
- (a) Place the regulator through the service hole.
- (b) Temporarily tighten the equalizer arm bracket mounting bolts.
- (c) Install four regulator mounting bolts.
- (d) Connect the connector.

**10. INSTALL DOOR GLASS**

- (a) Place the glass in the door cavity.
- (b) Install the glass to the regulator with two glass mounting nuts.

11. INSTALL DOOR GLASS RUN**12. ADJUST DOOR GLASS**

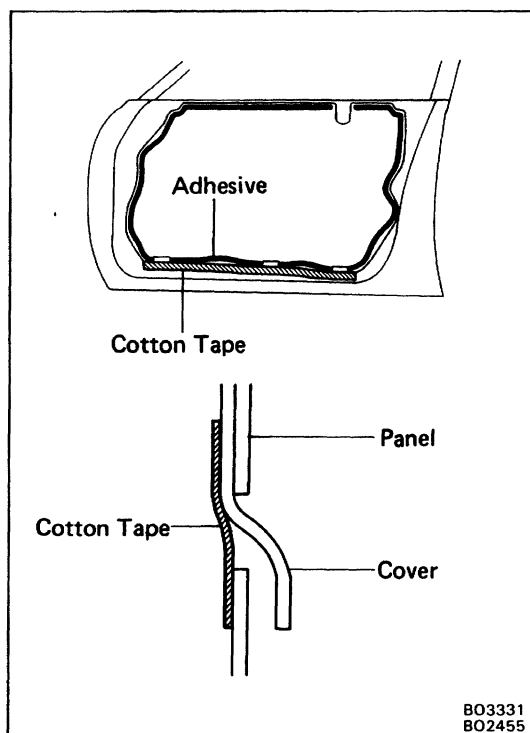
- (a) Adjust the equalizer arm up or down and tighten it where dimensions A and B, as shown, are equal.
- (b) With the door glass fully closed, adjust the door glass stopper so it lightly makes contact with the glass plate.

**13. INSTALL FRONT DOOR BELT MOULDING**

- (a) Install the claw of the clips into the upper panel slit and push the moulding onto the panel.
- (b) Install the screw to the moulding.

14. INSTALL REAR VIEW MIRROR

- (a) Install the mirror with three screws.
- (b) Connect the connector.

**15. INSTALL SERVICE HOLE COVER**

- (a) Seal the service hole cover with adhesive.
- (b) Install the lower edge of the service hole cover into the panel slit.
- (c) Seal the panel slit with cotton tape.

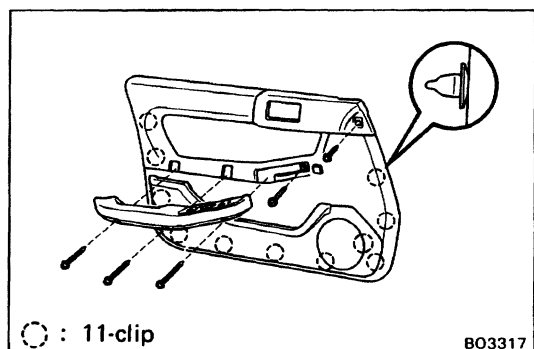
NOTICE: Do not block the trim clip seating with the tape.

16. INSTALL SPEAKER

- (a) Connect the connector.
- (b) Install the speaker with four screws.

17. INSTALL DOOR INSIDE HANDLE

- (a) Connect the handle to two links.
- (b) Install the handle with two screws.

**18. INSTALL DOOR TRIM**

- (a) Connect the connector.
- (b) Install the door trim with clips to the inside door panel by tapping.
- (c) Install two screws and the hole cover.
- (d) Connect the connector and install the armrest with three screws.

19. INSTALL REAR VIEW MIRROR COVER**20. INSTALL DOOR INSIDE HANDLE BEZEL**

Instal! the door inside handle bezel with the screw.