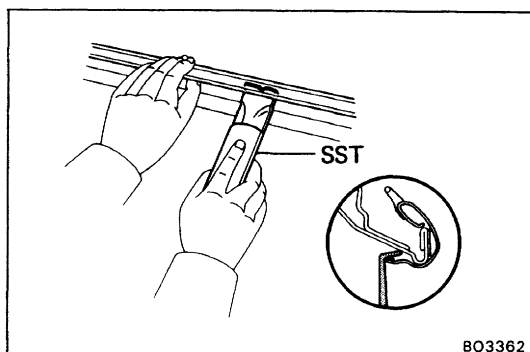
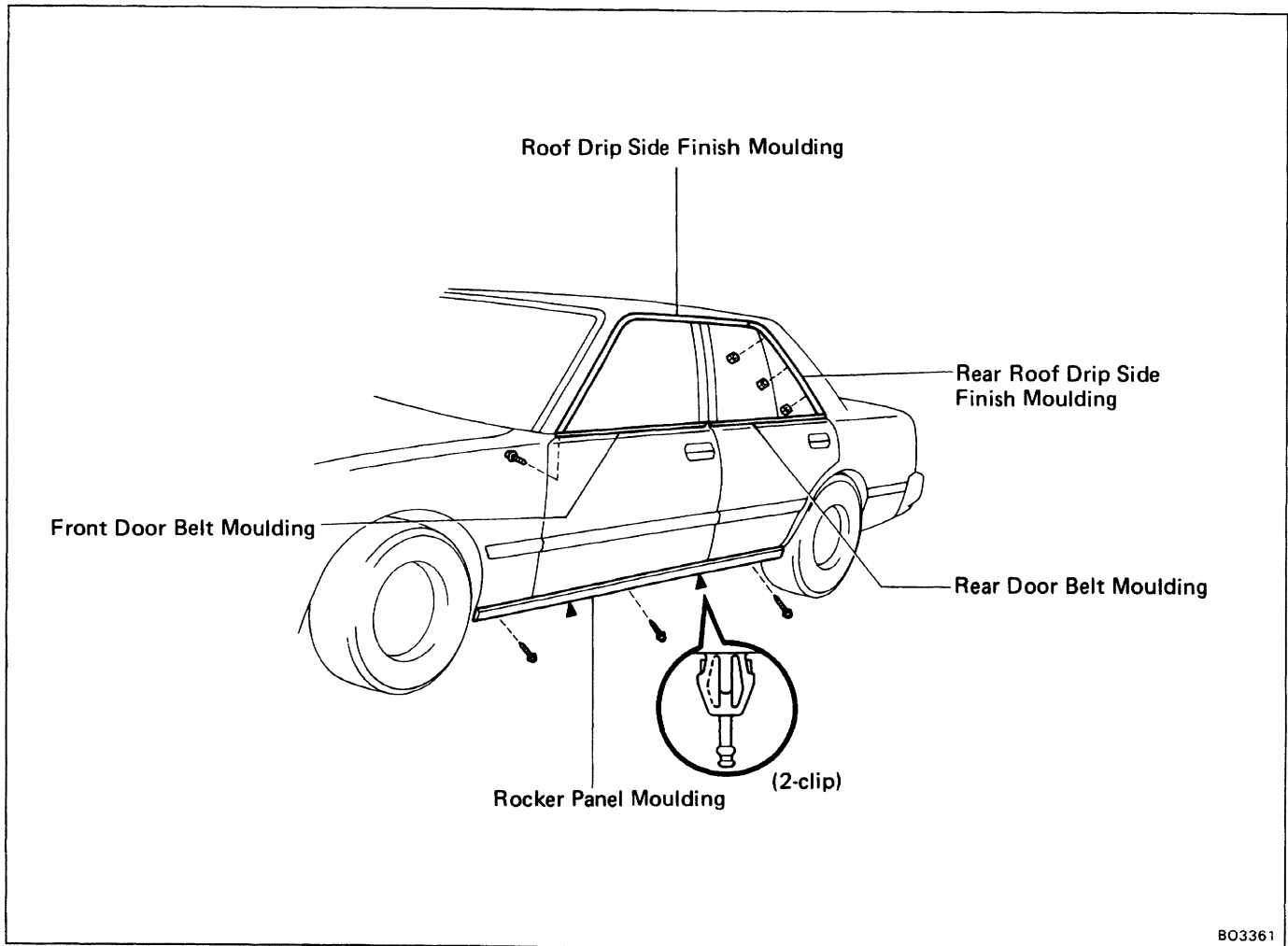


Body Outside Moulding COMPONENTS



REMOVAL OF ROOF DRIP SIDE FINISH MOULDING

REMOVE ROOF DRIP SIDE FINISH MOULDING

Using SST, pull off the roof drip side finish moulding from the front end.

SST 09806-30010

INSTALLATION OF ROOF DRIP SIDE FINISH MOULDING

INSTALL ROOF DRIP SIDE FINISH MOULDING

Attach the upper edge of the moulding to the body flange. Tap on the moulding by hand.

REMOVAL OF FRONT DOOR BELT MOULDING

(See step 8 on page [BO-7](#))

INSTALLATION OF FRONT DOOR BELT MOULDING

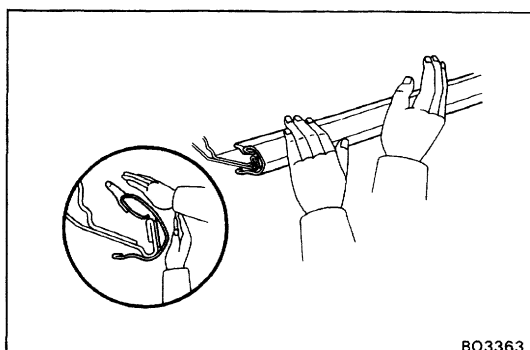
(See step 13 on page [BO-11](#))

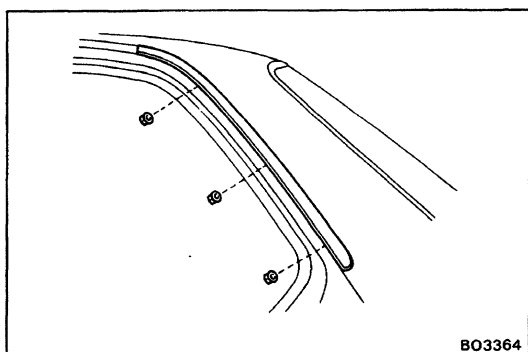
REMOVAL OF REAR DOOR BELT MOULDING

(See step 6 on page [80-14](#))

INSTALLATION OF REAR DOOR BELT MOULDING

(See step 12 on page [130-16](#))





REMOVAL OF REAR ROOF DRIP SIDE FINISH MOULDING

1. REMOVE FOLLOWING PARTS:

- Roof drip side finish moulding
- Rear seat back and cushion
(See page [BO-57](#))
- Roof side inner garnish
(See step 3 on page [BO-36](#))

2. REMOVE REAR ROOF DRIP SIDE FINISH MOULDING

Remove three nuts and the rear roof drip side finish moulding.

HINT: Use a socket wrench with a socket with a depth of at least 65 mm.

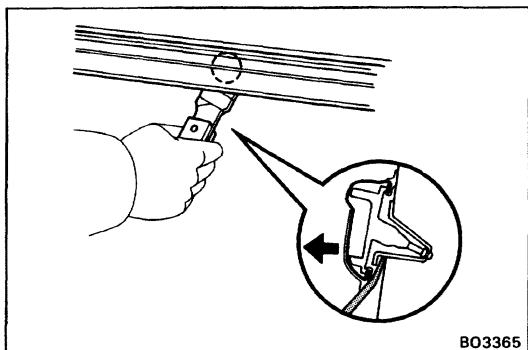
INSTALLATION OF REAR ROOF DRIP SIDE FINISH MOULDING

1. INSTALL REAR ROOF DRIP SIDE FINISH MOULDING

Install the rear roof drip side finish moulding with three nuts.

2. INSTALL FOLLOWING PARTS:

- Roof side inner garnish
(See step 12 on page [BO-38](#))
- Rear seat back and cushion
(See page [BO-57](#))
- Roof drip side finish moulding



REMOVAL OF ROCKER PANEL MOULDING

REMOVE ROCKER PANEL MOULDING

- (a) Remove three screws.
- (b) Using a scraper, pry loose two clips and remove the moulding.

HINT: Tape the scraper tip before use.

INSTALLATION OF ROCKER PANEL MOULDING

INSTALL ROCKER PANEL MOULDING

- (a) Install the top of clips into the panel hole and push the moulding onto the panel.
- (b) Install three screws.