

# Preliminary Check

## 1. CHECK FLUID LEVEL

HINT:

- The vehicle must have been driven so that the engine and transmission are at normal operating temperature.  
(Fluid temperature: 70 – 80°C or 158 – 176°F)
- First use the COOL range on the dipstick as a rough reference when the fluid is replaced. And check HOT condition by all means.

- Park the vehicle on a level surface, set the parking brake.
- With the engine idling, shift the shift lever into all positions from P to L position and return to P position.
- Pull out the transmission dipstick and wipe it clean.
- Push it back fully into the tube.
- Pull it out and check that the fluid level is in the HOT range.

If the level is at the low side, add fluid.

**Fluid type: ATF DEXRON® II**

**NOTICE: Do not overfill.**

## 2. CHECK FLUID CONDITION

If the fluid smells burnt or is black, replace it as following procedures.

- Remove the drain plug and drain the fluid.
- Reinstall the drain plug securely.
- With the engine OFF, add new fluid through the oil filler tube.

**Fluid type: ATF DEXRON® II**

**Capacity:**

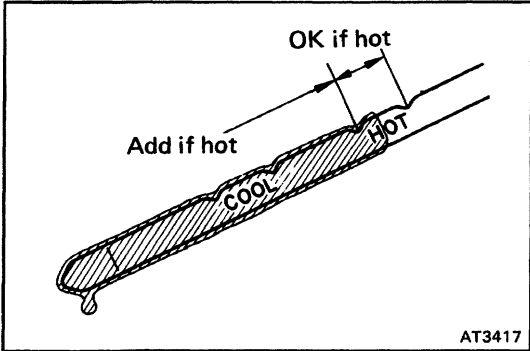
**Total: 7.2 liters (7.6 US qts, 6.3 Imp.qts)**

**Drain and refill: 1.6 liters (1.7 US qts, 1.4 Imp.qts)**

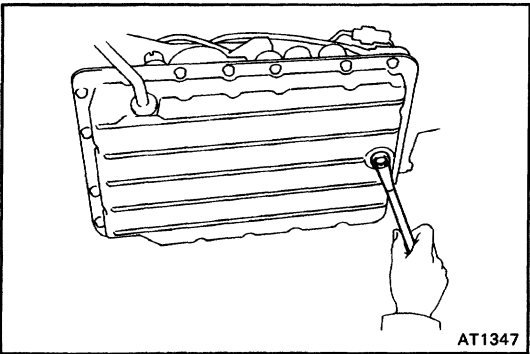
- Start the engine and shift the shift lever into all positions from P to L position and then shift into P position.
- With the engine idling, check the fluid level. Add fluid up to the COOL level on the dipstick.

- Check the fluid level with the normal operating temperature (70 – 80°C or 158 – 176°F) and add as necessary.

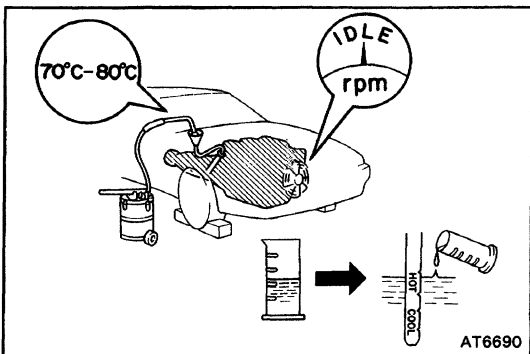
**NOTICE: Do not overfill.**



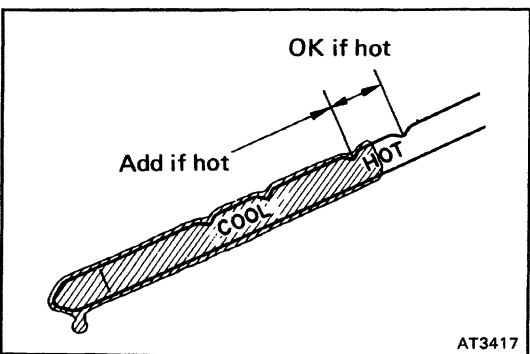
AT3417



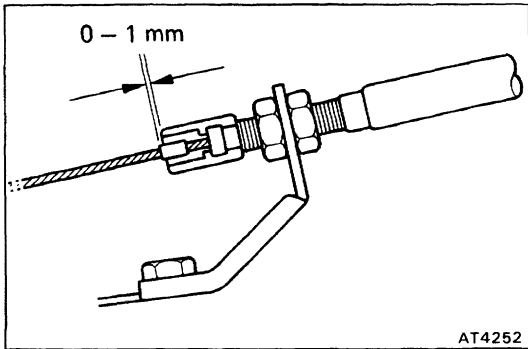
AT1347



AT6690



AT3417

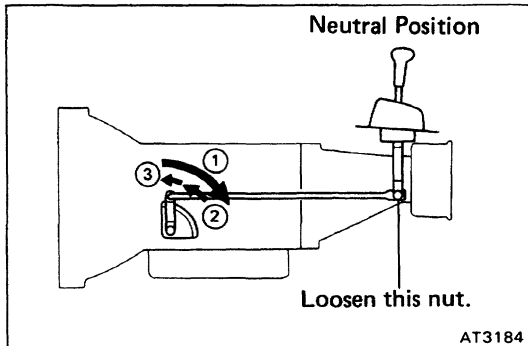


### 3. INSPECT THROTTLE CABLE

- (a) Check that the throttle valve is fully closed.
- (b) Check that the inner cable is not slack.
- (c) Measure the distance between the outer cable end and stopper on the cable.

**Standard distance: 0 - 1 mm (0 - 0.04 in.)**

If the distance is not standard, adjust the cable by the adjusting nuts.

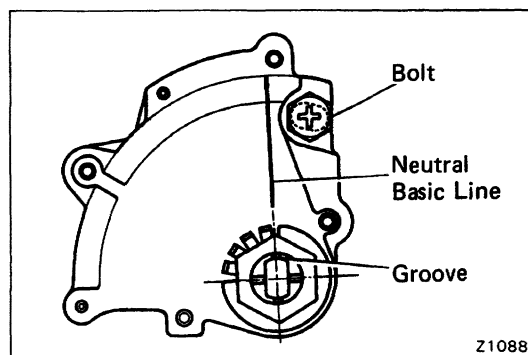
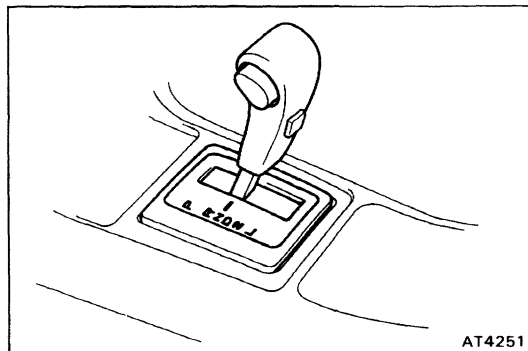


### 4. INSPECT SHIFT LEVER POSITION

When shifting the shift lever from the N position to other positions, check that the lever can be shifted smoothly and accurately to each position and that the position indicator correctly indicates the position.

If the indicator is not aligned with the correct position, carry out the following adjustment procedures.

- (a) Loosen the nut on the shift lever.
- (b) Push the control shaft lever fully rearward.
- (c) Return the control shaft lever two notches to N position.
- (d) Set the shift lever to N position.
- (e) While holding the shift lever lightly toward the R position side, tighten the shift lever nut.
- (f) Start the engine and make sure that the vehicle moves forward when shifting the lever from the N to D position and reverse when shifting it to the R position .



### 5. INSPECT NEUTRAL START SWITCH

Check that the engine can be started with the shift lever only in the N or P position, but not in other positions.

If not as stated above, carry out the following adjustment procedures.

- (a) Loosen the neutral start switch bolt and set the shift lever to the N position.
- (b) Align the groove and neutral basic line.
- (c) Hold in position and tighten the bolt.

**Torque: 130 kg-cm (9 ft-lb, 13 N-m)**

### 6. INSPECT IDLE SPEED (N RANGE)

**Idle speed: 700 rpm**